

# Veritas <sup>™</sup> FlashSnap Point-In-Time Copy Solutions Administrator's Guide

Solaris

5.0 Maintenance Pack 3



# Veritas™ FlashSnap Point-In-Time Copy Solutions Administrator's Guide

The software described in this book is furnished under a license agreement and may be used only in accordance with the terms of the agreement.

Product Version: 5.0 MP3

Document version: 5.0MP3.0

## Legal Notice

Copyright © 2008 Symantec Corporation. All rights reserved.

Symantec, the Symantec Logo, Veritas Storage Foundation and Veritas are trademarks or registered trademarks of Symantec Corporation or its affiliates in the U.S. and other countries. Other names may be trademarks of their respective owners.

This Symantec product may contain third party software for which Symantec is required to provide attribution to the third party ("Third Party Programs"). Some of the Third Party Programs are available under open source or free software licenses. The License Agreement accompanying the Software does not alter any rights or obligations you may have under those open source or free software licenses. Please see the Third Party Legal Notice Appendix to this Documentation or TPIP ReadMe File accompanying this Symantec product for more information on the Third Party Programs.

The product described in this document is distributed under licenses restricting its use, copying, distribution, and decompilation/reverse engineering. No part of this document may be reproduced in any form by any means without prior written authorization of Symantec Corporation and its licensors, if any.

THE DOCUMENTATION IS PROVIDED "AS IS" AND ALL EXPRESS OR IMPLIED CONDITIONS, REPRESENTATIONS AND WARRANTIES, INCLUDING ANY IMPLIED WARRANTY OF MERCHANTABILITY, FITNESS FOR A PARTICULAR PURPOSE OR NON-INFRINGEMENT, ARE DISCLAIMED, EXCEPT TO THE EXTENT THAT SUCH DISCLAIMERS ARE HELD TO BE LEGALLY INVALID. SYMANTEC CORPORATION SHALL NOT BE LIABLE FOR INCIDENTAL OR CONSEQUENTIAL DAMAGES IN CONNECTION WITH THE FURNISHING, PERFORMANCE, OR USE OF THIS DOCUMENTATION. THE INFORMATION CONTAINED IN THIS DOCUMENTATION IS SUBJECT TO CHANGE WITHOUT NOTICE.

The Licensed Software and Documentation are deemed to be commercial computer software as defined in FAR 12.212 and subject to restricted rights as defined in FAR Section 52.227-19 "Commercial Computer Software - Restricted Rights" and DFARS 227.7202, "Rights in Commercial Computer Software or Commercial Computer Software Documentation", as applicable, and any successor regulations. Any use, modification, reproduction release, performance, display or disclosure of the Licensed Software and Documentation by the U.S. Government shall be solely in accordance with the terms of this Agreement.

Symantec Corporation  
20330 Stevens Creek Blvd.  
Cupertino, CA 95014

<http://www.symantec.com>

# Technical Support

Symantec Technical Support maintains support centers globally. Technical Support's primary role is to respond to specific queries about product features and functionality. The Technical Support group also creates content for our online Knowledge Base. The Technical Support group works collaboratively with the other functional areas within Symantec to answer your questions in a timely fashion. For example, the Technical Support group works with Product Engineering and Symantec Security Response to provide alerting services and virus definition updates.

Symantec's maintenance offerings include the following:

- A range of support options that give you the flexibility to select the right amount of service for any size organization
- Telephone and Web-based support that provides rapid response and up-to-the-minute information
- Upgrade assurance that delivers automatic software upgrade protection
- Global support that is available 24 hours a day, 7 days a week
- Advanced features, including Account Management Services

For information about Symantec's Maintenance Programs, you can visit our Web site at the following URL:

<http://www.symantec.com/techsupp/>

## Contacting Technical Support

Customers with a current maintenance agreement may access Technical Support information at the following URL:

<http://www.symantec.com/business/support/index.jsp>

Before contacting Technical Support, make sure you have satisfied the system requirements that are listed in your product documentation. Also, you should be at the computer on which the problem occurred, in case it is necessary to replicate the problem.

When you contact Technical Support, please have the following information available:

- Product release level
- Hardware information
- Available memory, disk space, and NIC information
- Operating system

- Version and patch level
- Network topology
- Router, gateway, and IP address information
- Problem description:
  - Error messages and log files
  - Troubleshooting that was performed before contacting Symantec
  - Recent software configuration changes and network changes

## Licensing and registration

If your Symantec product requires registration or a license key, access our technical support Web page at the following URL:

<http://www.symantec.com/techsupp/>

## Customer service

Customer service information is available at the following URL:

<http://www.symantec.com/techsupp/>

Customer Service is available to assist with the following types of issues:

- Questions regarding product licensing or serialization
- Product registration updates, such as address or name changes
- General product information (features, language availability, local dealers)
- Latest information about product updates and upgrades
- Information about upgrade assurance and maintenance contracts
- Information about the Symantec Buying Programs
- Advice about Symantec's technical support options
- Nontechnical presales questions
- Issues that are related to CD-ROMs or manuals

## Maintenance agreement resources

If you want to contact Symantec regarding an existing maintenance agreement, please contact the maintenance agreement administration team for your region as follows:

Asia-Pacific and Japan	<a href="mailto:contractsadmin@symantec.com">contractsadmin@symantec.com</a>
Europe, Middle-East, and Africa	<a href="mailto:semea@symantec.com">semea@symantec.com</a>
North America and Latin America	<a href="mailto:supportsolutions@symantec.com">supportolutions@symantec.com</a>

## Additional enterprise services

Symantec offers a comprehensive set of services that allow you to maximize your investment in Symantec products and to develop your knowledge, expertise, and global insight, which enable you to manage your business risks proactively.

Enterprise services that are available include the following:

Symantec Early Warning Solutions	These solutions provide early warning of cyber attacks, comprehensive threat analysis, and countermeasures to prevent attacks before they occur.
Managed Security Services	These services remove the burden of managing and monitoring security devices and events, ensuring rapid response to real threats.
Consulting Services	Symantec Consulting Services provide on-site technical expertise from Symantec and its trusted partners. Symantec Consulting Services offer a variety of prepackaged and customizable options that include assessment, design, implementation, monitoring, and management capabilities. Each is focused on establishing and maintaining the integrity and availability of your IT resources.
Educational Services	Educational Services provide a full array of technical training, security education, security certification, and awareness communication programs.

To access more information about Enterprise services, please visit our Web site at the following URL:

<http://www.symantec.com>

Select your country or language from the site index.

# Contents

Technical Support .....	4
Chapter 1	Point-in-time copy solutions ..... 9
	About point-in-time copy solutions ..... 9
	Applications of point-in-time copy solutions ..... 10
	Point-in-time copy scenarios ..... 11
	Veritas software used in point-in-time copy scenarios ..... 11
	Persistent FastResync of volume snapshots ..... 14
	Instant volume snapshots ..... 14
	Disk group split/join ..... 15
	Storage Checkpoints ..... 15
	Veritas FlashSnap Agent for Symmetrix ..... 16
	Implementing point-in time copy solutions on a primary host ..... 17
	Implementing off-host point-in-time copy solutions ..... 19
	Data integrity in volume snapshots ..... 25
	Choices for snapshot resynchronization ..... 25
Chapter 2	Setting up volumes for instant snapshots ..... 27
	About setting up volumes for instant snapshots ..... 27
	Additional preparation activities ..... 28
	Preparing a volume for instant snapshot operations ..... 29
	Considerations for placing DCO plexes ..... 32
	Creating a volume for use as a full-sized instant snapshot ..... 35
	Creating a shared cache object ..... 36
	Tuning the autogrow attributes ..... 38
Chapter 3	Online database backup ..... 41
	About online database backup ..... 41
	Making a backup of an online database on the same host ..... 42
	Making an off-host backup of an online database ..... 47
Chapter 4	Off-host cluster file system backup ..... 53
	About off-host cluster file system backup ..... 53
	Mounting a file system for shared access ..... 54

	Using off-host processing to back up cluster file systems .....	55
	Reattaching snapshot plexes .....	59
Chapter 5	Decision support .....	61
	About decision support .....	61
	Creating a replica database on the same host .....	62
	Creating an off-host replica database .....	68
	Resynchronizing the data with the primary host .....	74
	Reattaching snapshot plexes .....	76
Chapter 6	Database recovery .....	79
	About database recovery .....	79
	Creating Storage Checkpoints .....	80
	Rolling back a database .....	80
Appendix A	Files and scripts for sample scenarios .....	83
	About files and scripts for sample scenarios .....	83
	Script to initiate online off-host backup of an Oracle database .....	85
	Script to put an Oracle database into hot backup mode .....	87
	Script to quiesce a Sybase ASE database .....	87
	Script to suspend I/O for a DB2 database .....	88
	Script to end Oracle database hot backup mode .....	88
	Script to release a Sybase ASE database from quiesce mode .....	89
	Script to resume I/O for a DB2 database .....	89
	Script to perform off-host backup .....	90
	Script to create an off-host replica Oracle database .....	91
	Script to complete, recover and start a replica Oracle database .....	93
	Script to start a replica Sybase ASE database .....	94
Appendix B	Preparing a replica Oracle database .....	97
	About preparing a replica Oracle database .....	97
	Text control file for original production database .....	100
	SQL script to create a control file .....	102
	Initialization file for original production database .....	102
	Initialization file for replica Oracle database .....	104
Index	.....	107



# Point-in-time copy solutions

This chapter includes the following topics:

- [About point-in-time copy solutions](#)
- [Applications of point-in-time copy solutions](#)
- [Veritas software used in point-in-time copy scenarios](#)
- [Implementing point-in time copy solutions on a primary host](#)
- [Implementing off-host point-in-time copy solutions](#)

## About point-in-time copy solutions

This topic introduces the point-in-time copy solutions that you can implement using the Veritas FlashSnap™ technology.

---

**Note:** The FlashSnap feature requires a separate license.

---

Veritas FlashSnap offers a flexible and efficient means of managing business critical data. It allows you to capture an online image of actively changing data at a given instant: a point-in-time copy. You can perform system backup, upgrade and other maintenance tasks on point-in-time copies while providing continuous availability of your critical data. If required, you can offload processing of the point-in-time copies onto another host to avoid contention for system resources on your production server.

The following kinds of point-in-time copy solution are supported by the FlashSnap license:

- Volume-level solutions are made possible by the persistent FastResync and Disk Group Split/Join features of Veritas Volume Manager. These features are

suitable for implementing solutions where the I/O performance of the production server is critical.

See [“Persistent FastResync of volume snapshots”](#) on page 14.

See [“Disk group split/join”](#) on page 15.

- File system-level solutions use the Storage Checkpoint feature of Veritas File System. Storage Checkpoints are suitable for implementing solutions where storage space is critical for:
  - File systems that contain a small number of mostly large files.
  - Application workloads that change a relatively small proportion of file system data blocks (for example, web server content and some databases).
  - Applications where multiple writable copies of a file system are required for testing or versioning.

See [“Storage Checkpoints”](#) on page 15.

The FlashSnap license also supports the Veritas FlashSnap Agent for Symmetrix.

See [“Veritas FlashSnap Agent for Symmetrix”](#) on page 16.

## Applications of point-in-time copy solutions

The following typical activities are suitable for point-in-time copy solutions implemented using Veritas FlashSnap:

- Data backup—Many enterprises require 24 x 7 data availability. They cannot afford the downtime involved in backing up critical data offline. By taking snapshots of your data, and backing up from these snapshots, your business-critical applications can continue to run without extended downtime or impacted performance.
- Decision support analysis and reporting—Operations such as decision support analysis and business reporting may not require access to real-time information. You can direct such operations to use a replica database that you have created from snapshots, rather than allow them to compete for access to the primary database. When required, you can quickly resynchronize the database copy with the data in the primary database.
- Testing and training—Development or service groups can use snapshots as test data for new applications. Snapshot data provides developers, system testers and QA groups with a realistic basis for testing the robustness, integrity and performance of new applications.
- Database error recovery—Logic errors caused by an administrator or an application program can compromise the integrity of a database. You can recover a database more quickly by restoring the database files by using Storage

Checkpoints or a snapshot copy than by full restoration from tape or other backup media.

## Point-in-time copy scenarios

Point-in-time copies of volumes allow you to capture an image of a database or file system at a selected instant for use in applications such as backups, decision support, reporting, and development testing.

Point-in-time copy solutions may additionally be configured to use off-host processing to remove much of the performance overhead on a production system.

The following chapters describe how you can use FlashSnap to implement regular online backup of database and cluster file system volumes, to set up a replica of a production database for decision support:

- [About online database backup](#)
- [About off-host cluster file system backup](#)
- [About decision support](#)

The following types of point-in-time copy solution are considered in this document:

- Primary host solutions where the copy is processed on the same system as the active data.  
See [“Implementing point-in time copy solutions on a primary host”](#) on page 17.
- Off-host solutions where the copy is processed on a different system from the active data. If implemented correctly, such solutions have almost no impact on the performance of the primary production system.  
See [“Implementing off-host point-in-time copy solutions”](#) on page 19.
- Using Storage Checkpoints to quickly roll back a database instance to an earlier point in time.  
See [“About database recovery”](#) on page 79.

## Veritas software used in point-in-time copy scenarios

This guide provides a number of example scenarios that illustrate how to implement point-in-time copy solutions.

[Table 1-1](#) shows the Veritas products that may be used with a Veritas FlashSnap license to provide the required functionality in different environments.

**Table 1-1** Veritas products used with Veritas FlashSnap license

Environment	Database server	Other applications
Standalone primary host	Veritas Storage Foundation for DB2, Oracle or Sybase	Veritas Storage Foundation
Cluster without automatic failover	Veritas Storage Foundation for DB2, Oracle or Sybase	Veritas Storage Foundation for Cluster File System
Cluster with automatic failover	Veritas Storage Foundation for DB2, Oracle or Sybase HA	Veritas Storage Foundation for Cluster File System HA

Veritas Storage Foundation for databases is required if you want to use the Veritas Quick I/O, Veritas Extension for Oracle Disk Manager (ODM), Veritas QuickLog, Storage Checkpoints and management interface features to enhance database performance and manageability.

The Veritas Clustering Functionality for VxVM and Veritas Cluster File System features of Veritas Storage Foundation for Cluster File System and Cluster File System HA allow you to share data within a cluster. The HA version uses Veritas Cluster Server to allow you to configure automated application and storage failover to provide continuous availability of service.

---

**Note:** The Cached Quick I/O and QuickLog features are not supported for use with Veritas Cluster File System. The Cached Quick I/O, Quick I/O and QuickLog features are not supported at all on the Linux platform.

The database server products mentioned in this document may not be supported on certain operating system platforms.

---

The following non-cluster specific components are used in the sample scenarios:

- Veritas Volume Manager (VxVM) is a disk management subsystem that supports disk striping, disk mirroring, and simplified disk management for improved data availability and superior performance. The FlashSnap license enables the use of the persistent FastResync and Disk Group Split/Join features of VxVM.
- Veritas File System (VxFS) is a high-performance, fast-recovery file system that is optimized for business-critical database applications and data-intensive workloads. VxFS offers online administration, letting you perform most frequently scheduled maintenance tasks (including online backup, resizing, and file system changes) without interrupting data or system availability. The FlashSnap license enables the use of the Storage Checkpoints feature of VxFS.

You can also use the following cluster-specific components with the sample scenarios where required:

- Veritas Cluster Server (VCS) is a high-availability (HA) solution for cluster configurations. VCS monitors systems and application services, and restarts services on a different cluster node (failover) in the event of either hardware or software failure. It also allows you to perform general administration tasks such as making nodes join or leave a cluster.

---

**Note:** On HP-UX, MC/ServiceGuard may be configured as the cluster monitor.

---

- Veritas Clustering Functionality for VxVM (CVM) allows multiple hosts to simultaneously access and manage a given set of disks that are under the control of Veritas Volume Manager.
- Veritas Cluster File System (CFS) allows cluster nodes to share access to the same VxFS file system. CFS is especially useful for sharing read-intensive data between cluster nodes.

If a backup solution is required, the following Veritas software is recommended:

- Symantec NetBackup™ DataCenter provides mainframe-class data protection for corporate data centers. NetBackup DataCenter allows you to manage all aspects of backup and recovery, and allows consistent backup policies to be enforced across your organization. Optional NetBackup ServerFree Agents enhance NetBackup DataCenter to provide data protection for frozen image data such as VxVM snapshot mirrors. They can also be used to offload backup processing to NetBackup media servers or third-party copy devices over Fibre Channel networks.
- Symantec NetBackup Business Server provides protection for small to medium-size server installations. It does not provide integrated support for backing up VxVM snapshot mirrors or for offloading backup processing. However, you can use it to back up snapshot volumes that have been created from snapshot mirrors.

For more information about installing and configuring these products see the following documentation:

- *Veritas Storage Foundation for Cluster File System Administrator's Guide*
- *Veritas Storage Foundation for DB2 Database Administrator's Guide*
- *Veritas Storage Foundation for DB2 Installation Guide*
- *Veritas Storage Foundation for Oracle Database Administrator's Guide*
- *Veritas Storage Foundation for Oracle Installation Guide*
- *Veritas Storage Foundation for Sybase Database Administrator's Guide*
- *Veritas Storage Foundation for Sybase Installation Guide*

- *Veritas Storage Foundation Installation Guide*
- *Veritas File System Administrator's Guide*
- *Veritas Volume Manager Administrator's Guide*
- *Symantec NetBackup DataCenter Installation Guide*
- *Symantec NetBackup DataCenter System Administrator's Guide*
- *Symantec NetBackup ServerFree Agent System Administrator's Guide*
- *Symantec NetBackup for Oracle ServerFree Agent System Administrator's Guide*
- *Symantec NetBackup BusinessServer Getting Started Guide*
- *Symantec NetBackup BusinessServer System Administrator's Guide*

## Persistent FastResync of volume snapshots

Veritas Volume Manager allows you to take multiple snapshots of your data at the level of a volume. A snapshot volume contains a stable copy of a volume's data at a given moment in time that you can use for online backup or decision support. If persistent FastResync is enabled on a volume, VxVM uses a FastResync map to keep track of which blocks are updated in the volume and in the snapshot. If the data in one mirror is not updated for some reason, it becomes out-of-date, or stale, with respect to the other mirrors in the volume. The presence of the FastResync map means that only those updates that the mirror has missed need be reapplied to resynchronize it with the volume. A full, and therefore much slower, resynchronization of the mirror from the volume is unnecessary.

When snapshot volumes are reattached to their original volumes, persistent FastResync allows the snapshot data to be quickly refreshed and re-used. Persistent FastResync uses disk storage to ensure that FastResync maps survive both system and cluster crashes. If persistent FastResync is enabled on a volume in a private disk group, incremental resynchronization can take place even if the host is rebooted.

Persistent FastResync can track the association between volumes and their snapshot volumes after they are moved into different disk groups. After the disk groups are rejoined, persistent FastResync allows the snapshot plexes to be quickly resynchronized.

See the *Veritas Volume Manager Administrator's Guide*.

## Instant volume snapshots

The traditional type of volume snapshot that was provided in VxVM is of the third-mirror type. This name comes from its original implementation by adding

an additional plex to a mirrored volume. After the contents of the third-mirror (or snapshot plex) had been synchronized from the original plexes of the volume, it could be detached as a snapshot volume for use in backup or decision support applications. Enhancements to the snapshot model allowed snapshot volumes to contain more than a single plex, reattachment of a subset of a snapshot volume's plexes, and persistence of FastResync across system reboots or cluster restarts.

Release 4.0 of VxVM introduced instant snapshots, which offer advantages over traditional third-mirror snapshots. The benefits of instant snapshots include immediate availability for use, quick refreshment, and easier configuration and administration. Full-sized instant snapshots are similar to third-mirror snapshots in that they are the same length as the original volume.

Space-optimized instant snapshots require less space than full-sized snapshots by recording changed regions in the original volume to a storage cache. As the original volume is written to, VxVM preserves its data in the cache before the write is committed.

See the *Veritas Volume Manager Administrator's Guide*.

## Disk group split/join

One or more volumes, such as snapshot volumes, can be split off into a separate disk group and deported. They are then ready for importing on another host that is dedicated to off-host processing. This host need not be a member of a cluster but it must have access to the disks on which the volumes are configured. At a later stage, the disk group can be deported, re-imported, and joined with the original disk group, or with a different disk group.

---

**Note:** As space-optimized instant snapshots only record information about changed regions in the original volume, they cannot be moved to a different disk group. They are therefore unsuitable for the off-host processing applications that are described in this document.

The contents of full-sized instant snapshots must be fully synchronized with the unchanged regions in the original volume before such snapshots can be moved into a different disk group and deported from a host.

---

See the *Veritas Volume Manager Administrator's Guide*.

## Storage Checkpoints

A Storage Checkpoint is a persistent image of a file system at a given instance in time. Storage Checkpoints use a copy-on-write technique to reduce I/O overhead by identifying and maintaining only those file system blocks that have changed

since a previous Storage Checkpoint was taken. Storage Checkpoints have the following important features:

- Storage Checkpoints persist across system reboots and crashes.
- A Storage Checkpoint can preserve not only file system metadata and the directory hierarchy of the file system, but also user data as it existed when the Storage Checkpoint was taken.
- After creating a Storage Checkpoint of a mounted file system, you can continue to create, remove, and update files on the file system without affecting the image of the Storage Checkpoint.
- Unlike file system snapshots, Storage Checkpoints are writable.
- To minimize disk space usage, Storage Checkpoints use free space in the file system.

Storage Checkpoints and the Storage Rollback feature of Veritas Storage Foundation for Databases enable rapid recovery of databases from logical errors such as database corruption, missing files and dropped table spaces. You can mount successive Storage Checkpoints of a database to locate the error, and then roll back the database to a Storage Checkpoint before the problem occurred.

See [“About database recovery”](#) on page 79.

See the *Veritas Storage Foundation Administrator’s Guide*.

Symantec NetBackup for Oracle Advanced BLI Agent uses Storage Checkpoints to enhance the speed of backing up Oracle databases.

See the *Symantec NetBackup for Oracle Advanced BLI Agent System Administrator’s Guide*.

For more information about the implementation of Storage Checkpoints, see the *Veritas File System Administrator’s Guide*.

## Veritas FlashSnap Agent for Symmetrix

The EMC TimeFinder product from EMC is a business continuance solution that allows you to create and use copies of EMC Symmetrix devices while the standard devices remain online and accessible. Business Continuance Volume (BCV) devices contain copies of Symmetrix standard (STD) devices and provide redundancy. You can temporarily detach the BCV mirrors and use the BCVs to perform backups, testing, and other administrative tasks.

Veritas FlashSnap Agent for Symmetrix provides a set of commands that allow you to use the EMC TimeFinder split and restore operations in conjunction with VxFS file systems and VxVM disk groups and volumes that have been created on Symmetrix STD devices.



You can use the commands in Veritas FlashSnap Agent for Symmetrix to:

- Associate a disk group with a BCV disk group, or Symmetrix STD devices in a disk group with identical BCV devices.
- Initiate TimeFinder mirroring for Symmetrix STD devices in a disk group.
- Split Symmetrix STD devices from their BCV devices and create duplicate volumes on the BCV devices. You can use the resulting BCV volumes for administrative tasks such as backups and testing.
- Reattach and resynchronize the STD and BCV devices. The devices can be remirrored from the STD copy or restored from the BCV copy.
- Detach the STD devices from their BCV devices.

---

**Note:** The Veritas FlashSnap Agent for Symmetrix software is available with the Veritas Storage Foundation for Oracle product. It is not currently available for DB2 or Sybase databases.

A valid SYMCLI license key must be obtained from EMC to use EMC TimeFinder.

---

The Veritas Cluster Server Agents for Veritas FlashSnap Agent for Symmetrix are add-ons to Veritas Cluster Server that enable automatic recovery of FlashSnap Agent for Symmetrix operations.

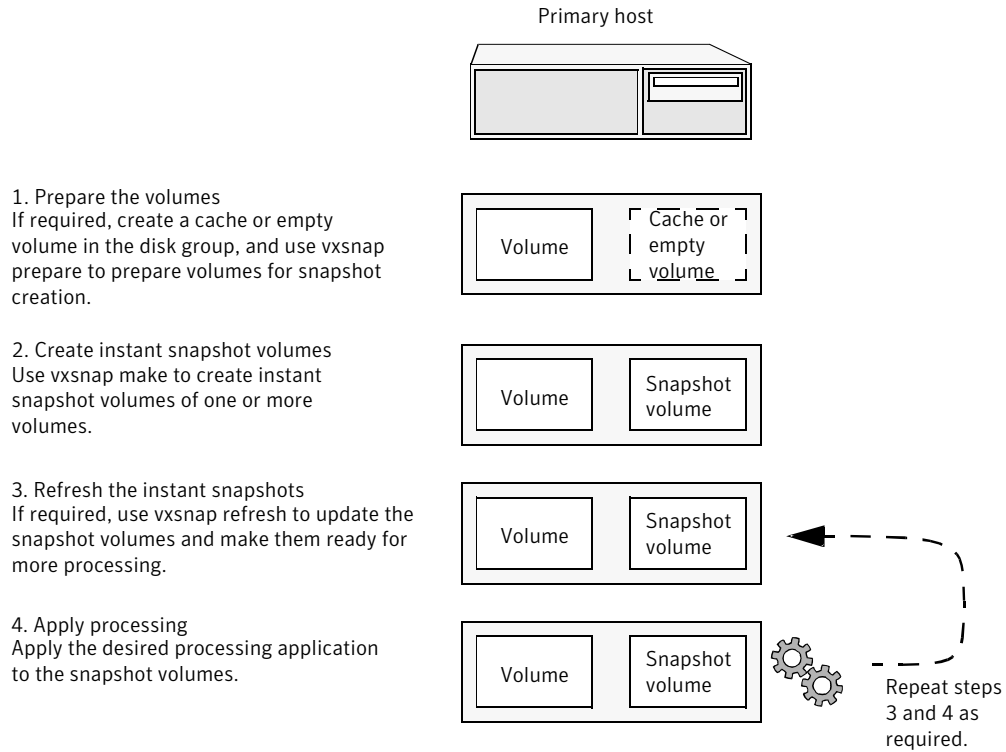
For more information, see the following documents that are installed with the `VRTSfasdc` package:

- *Veritas FlashSnap Agent for Symmetrix Installation Guide*
- *Veritas FlashSnap Agent for Symmetrix Administrator's Guide*
- *Veritas Cluster Server Agents for Veritas FlashSnap Agent for Symmetrix Installation and Configuration Guide*

## Implementing point-in time copy solutions on a primary host

**Figure 1-1** illustrates the steps that are needed to set up the processing solution on the primary host.

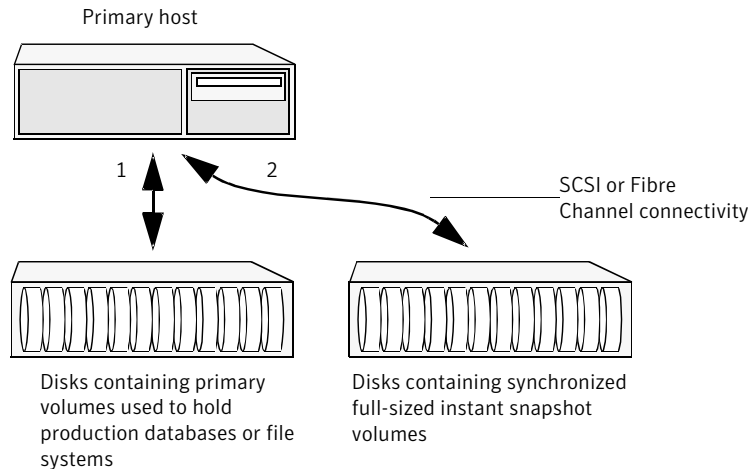
**Figure 1-1** Using snapshots and FastResync to implement point-in-time copy solutions on a primary host



Note that the Disk Group Split/Join functionality is not used. As all processing takes place in the same disk group, synchronization of the contents of the snapshots from the original volumes is not usually required unless you want to prevent disk contention. Snapshot creation and updating are practically instantaneous.

Figure 1-2 shows the suggested arrangement for implementing solutions where the primary host is used and disk contention is to be avoided.

**Figure 1-2** Example point-in-time copy solution on a primary host



In this setup, it is recommended that separate paths (shown as 1 and 2) from separate controllers be configured to the disks containing the primary volumes and the snapshot volumes. This avoids contention for disk access, but the primary host's CPU, memory and I/O resources are more heavily utilized when the processing application is run.

---

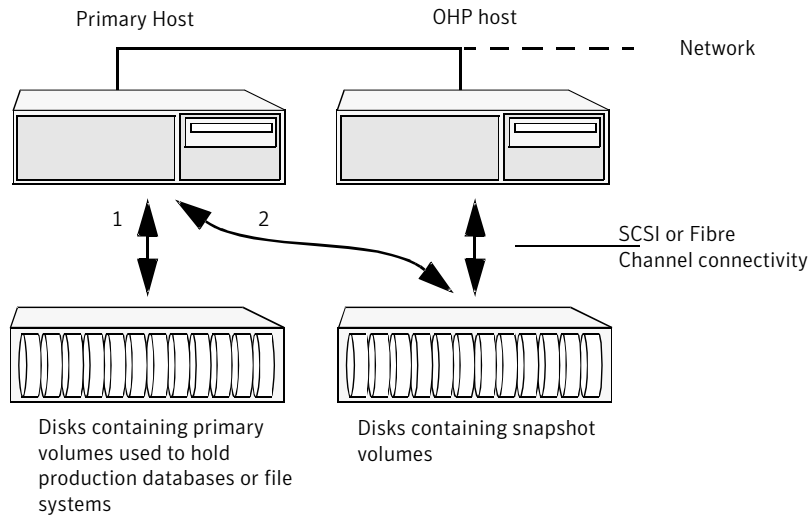
**Note:** For space-optimized or unsynchronized full-sized instant snapshots, it is not possible to isolate the I/O pathways in this way. This is because such snapshots only contain the contents of changed regions from the original volume. If applications access data that remains in unchanged regions, this is read from the original volume.

---

## Implementing off-host point-in-time copy solutions

Figure 1-3 illustrates that, by accessing snapshot volumes from a lightly loaded host (shown here as the OHP host), CPU- and I/O-intensive operations for online backup and decision support are prevented from degrading the performance of the primary host that is performing the main production activity (such as running a database).

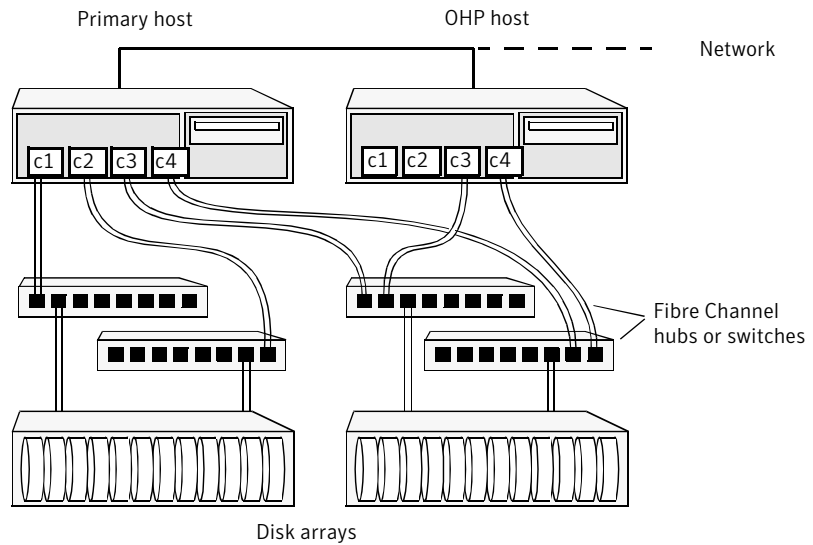
**Figure 1-3** Example implementation of an off-host point-in-time copy solution



Also, if you place the snapshot volumes on disks that are attached to host controllers other than those for the disks in the primary volumes, it is possible to avoid contending with the primary host for I/O resources. To implement this, paths 1 and 2 shown in the [Figure 1-3](#) should be connected to different controllers.

[Figure 1-4](#) shows an example of how you might achieve such connectivity using Fibre Channel technology with 4 Fibre Channel controllers in the primary host.

**Figure 1-4** Example connectivity for off-host solution using redundant-loop access



This layout uses redundant-loop access to deal with the potential failure of any single component in the path between a system and a disk array.

---

**Note:** On some operating systems, controller names may differ from what is shown here.

---

[Figure 1-5](#) shows how off-host processing might be implemented in a cluster by configuring one of the cluster nodes as the OHP node.

**Figure 1-5** Example implementation of an off-host point-in-time copy solution using a cluster node

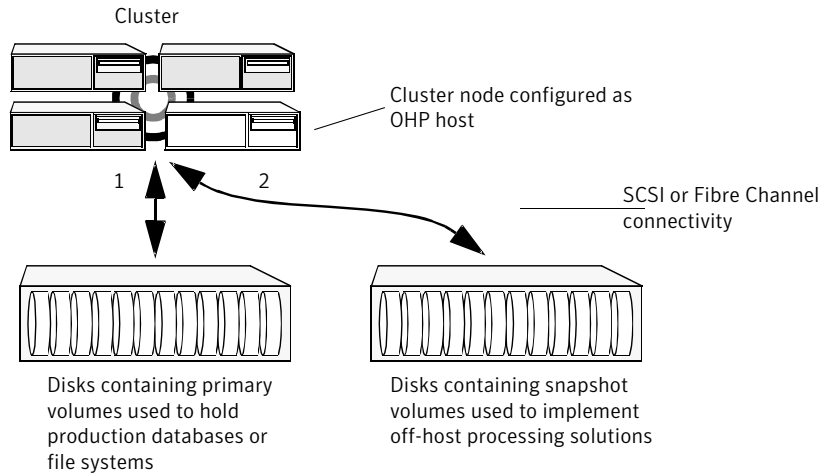
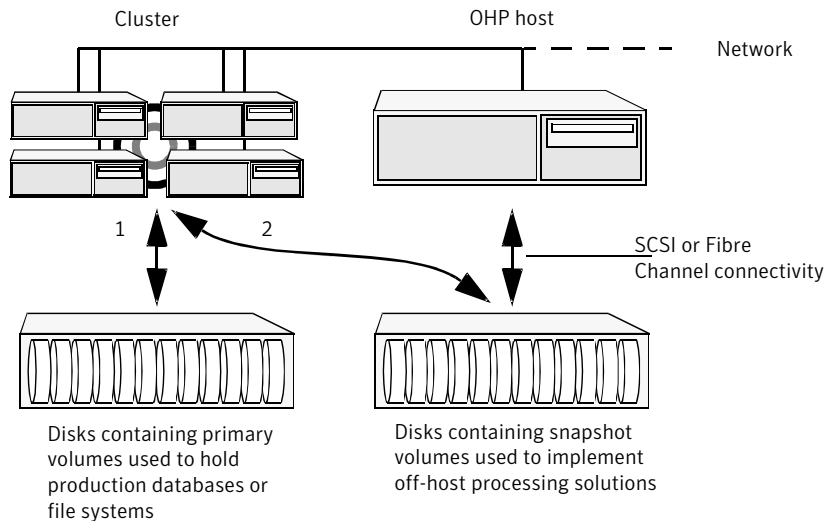


Figure 1-6 shows an alternative arrangement, where the OHP node could be a separate system that has a network connection to the cluster, but which is not a cluster node and is not connected to the cluster's private network.

**Figure 1-6** Example implementation of an off-host point-in-time copy solution using a separate OHP host



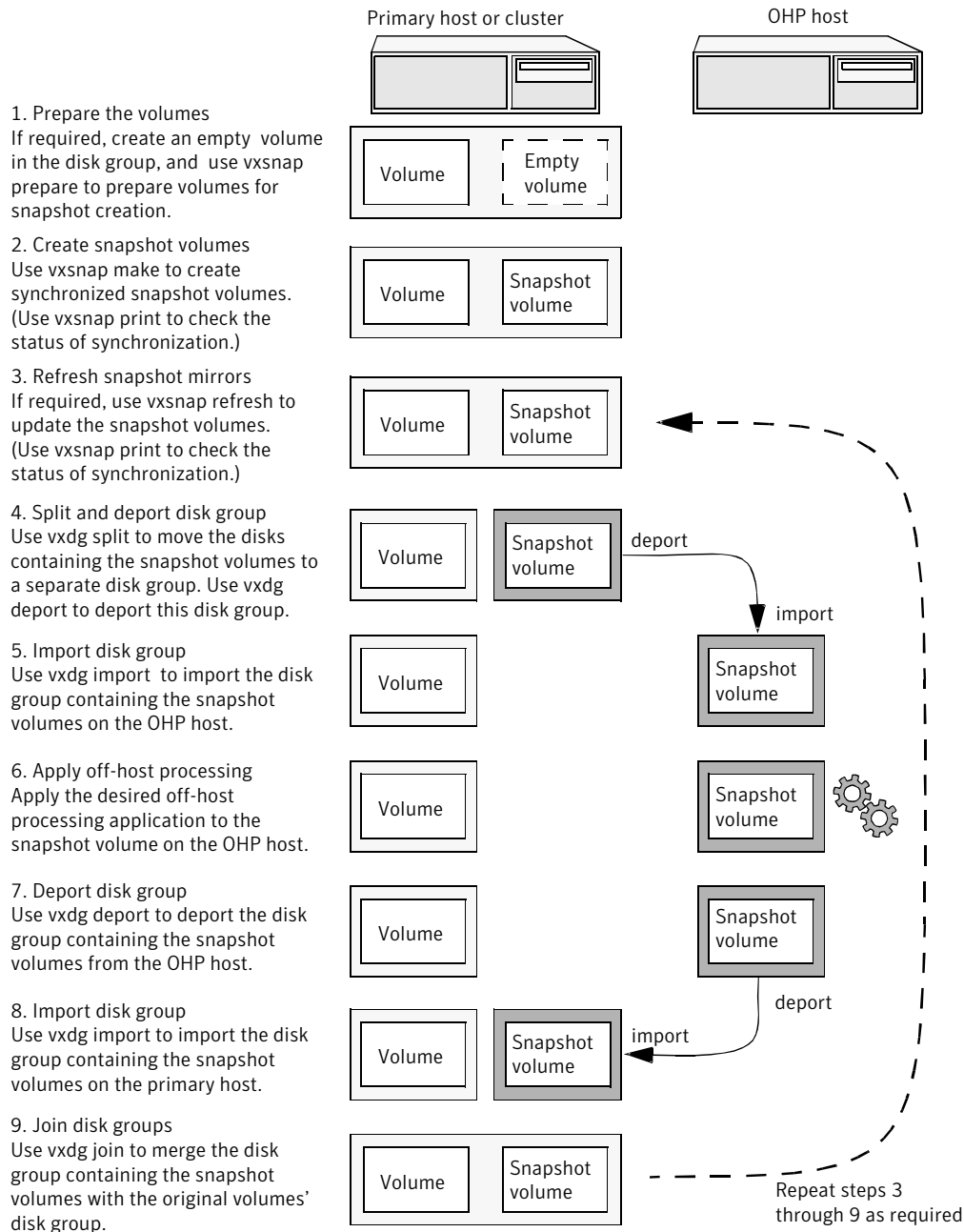
---

**Note:** For off-host processing, the example scenarios in this document assume that a separate OHP host is dedicated to the backup or decision support role. For clusters, it may be simpler, and more efficient, to configure an OHP host that is not a member of the cluster.

---

[Figure 1-7](#) illustrates the steps that are needed to set up the processing solution on the primary host.

**Figure 1-7** Implementing off-host processing solutions





Disk Group Split/Join is used to split off snapshot volumes into a separate disk group that is imported on the OHP host.

---

**Note:** As the snapshot volumes are to be moved into another disk group and then imported on another host, their contents must first be synchronized with the parent volumes. On reimporting the snapshot volumes, refreshing their contents from the original volume is speeded by using FastResync.

---

## Data integrity in volume snapshots

A volume snapshot represents the data that exists in a volume at a given point in time. As such, VxVM does not have any knowledge of data that is cached by the overlying file system, or by applications such as databases that have files open in the file system. If the `fsген` volume usage type is set on a volume that contains a Veritas File System (VxFS), intent logging of the file system metadata ensures the internal consistency of the file system that is backed up. For other file system types, depending on the intent logging capabilities of the file system, there may potentially be inconsistencies between in-memory data and the data in the snapshot image.

For databases, a suitable mechanism must additionally be used to ensure the integrity of tablespace data when the volume snapshot is taken. The facility to temporarily suspend file system I/O is provided by most modern database software. The examples provided in this document illustrate how to perform this operation. For ordinary files in a file system, which may be open to a wide variety of different applications, there may be no way to ensure the complete integrity of the file data other than by shutting down the applications and temporarily unmounting the file system. In many cases, it may only be important to ensure the integrity of file data that is not in active use at the time that you take the snapshot.

## Choices for snapshot resynchronization

When a snapshot volume is reattached to its original volume within a shared disk group, there are two choices for resynchronizing the data in the volume:

- Resynchronize the snapshot from the original volume—updates the snapshot with data from the primary volume that has changed since the snapshot was taken. The snapshot is then again ready to be taken for the purposes of backup or decision support.
- Resynchronize the original volume from the snapshot—updates the original volume with data from the snapshot volume that has changed since the snapshot was taken. This may be necessary to restore the state of a corrupted database or file system, or to implement upgrades to production software, and

is usually much quicker than using alternative approaches such as full restoration from backup media.

# Setting up volumes for instant snapshots

This chapter includes the following topics:

- [About setting up volumes for instant snapshots](#)
- [Additional preparation activities](#)
- [Preparing a volume for instant snapshot operations](#)
- [Creating a volume for use as a full-sized instant snapshot](#)
- [Creating a shared cache object](#)

## About setting up volumes for instant snapshots

This chapter describes how to make volumes ready for instant snapshot creation. These may be volumes that you want to back up, or that you want to use for decision support or reporting.

If a snapshot volume is to be used on the same host, and will not be moved to another host for off-host processing, you can use space-optimized instant snapshots rather than full-sized instant snapshots. Depending on the application, space-optimized snapshots typically require 10% of the disk space that is required for full-sized instant snapshots.

For information on administering instant snapshots and FastResync, see the *Veritas Volume Manager Administrator's Guide*.

[Table 2-1](#) summarizes which volumes require the creation of snapshot mirrors for backup, decision support, and database error recovery.

**Table 2-1** Creation of snapshot mirrors

Point-in-time copy application	Create snapshot mirrors for volumes containing...
Online database backup See “ <a href="#">About online database backup</a> ” on page 41.	VxFS file systems for database datafiles to be backed up.
Off-host cluster file system backup See “ <a href="#">About off-host cluster file system backup</a> ” on page 53.	VxFS cluster file systems to be backed up.
Decision support See “ <a href="#">About decision support</a> ” on page 61.	VxFS file systems for database datafiles to be replicated.

**Warning:** To avoid data inconsistencies, do not use the same snapshot with different point-in-time copy applications. If you require snapshot mirrors for more than one application, configure at least one snapshot mirror that is dedicated to each application.

If the existing volume was created before release 4.0 of VxVM, and it has any attached snapshot plexes, is associated with any snapshot volumes, or has any dedicated DRL logs, follow the procedure given in the section “Upgrading Existing Volumes to Use Version 20 DCOs” in the “Administering Volumes” chapter of the *Veritas Volume Manager Administrator’s Guide*. The procedure given in this section assumes that no snapshot plexes, snapshot volumes, or DRL logs are associated with the volumes.

## Additional preparation activities

Depending on the type of snapshots that you want to create, you may need to perform additional preparatory tasks.

When creating a full-sized instant snapshot, you can use one of the following two methods:

- Break off one or more spare plexes from the original volume to form a snapshot volume with the required redundancy. These plexes must be in the `SNAPDONE` state. (You can also break off named plexes of a volume that are in the `ACTIVE` state, but that method is not described here.)

For more information about Administering Volume Snapshots, see the *Veritas Volume Manager Administrator’s Guide*.

- Use a separate empty volume that you have prepared in advance.  
See [“Creating a volume for use as a full-sized instant snapshot”](#) on page 35.

When creating space-optimized instant snapshots that share a cache, you must set up the cache before creating the snapshots.

See [“Creating a shared cache object”](#) on page 36.

If a space-optimized instant snapshot uses a dedicate cache, this can also be set up when the snapshot is created. No additional preparation is required in this case.

---

**Note:** The off-host processing solutions in this book require full-sized snapshots.

---

## Preparing a volume for instant snapshot operations

To prepare a volume for instant snapshot operations, a version 20 Data Change Object (DCO) and DCO volume must first be associated with that volume.

### To add a version 20 DCO object and DCO volume to an existing volume

- 1 Ensure that the disk group containing the existing volume has been upgraded to at least version 110. Use the following command to check the version of a disk group:

```
# vxprint -l diskgroup | egrep 'version:'
```

To upgrade a disk group, use the following command:

```
# vxdg upgrade diskgroup
```

- 2 Use the following command to add a version 20 DCO and DCO volume to an existing volume:

```
# vxsnap [-g diskgroup] prepare volume [ndcomirs=number] \  
    [regionsize=size] [alloc=storage_attribute[,...]]
```

The `ndcomirs` attribute specifies the number of DCO plexes that are created in the DCO volume. It is recommended that you configure as many DCO plexes as there are data and snapshot plexes in the volume. The DCO plexes are used to set up a DCO volume for any snapshot volume that you subsequently create from the snapshot plexes. For example, specify `ndcomirs=5` for a volume with 3 data plexes and 2 snapshot plexes.

The value of the `regionsize` attribute specifies the size of the tracked regions in the volume. A write to a region is tracked by setting a bit in the change map. The default value is `64k` (64KB). A smaller value requires more disk space for the change maps, but the finer granularity provides faster resynchronization.

You can also specify `vxassist`-style storage attributes to define the disks that can and/or cannot be used for the plexes of the DCO volume.

---

**Note:** The `vxsnap prepare` command automatically enables persistent FastResync on the volume. Persistent FastResync is also set automatically on any snapshots that are generated from a volume on which this feature is enabled.

If the volume is a RAID-5 volume, it is converted to a layered volume that can be used with instant snapshots and persistent FastResync.

By default, a new-style DCO volume contains 32 per-volume maps. If you require more maps than this, you can use the `vxsnap addmap` command to add more maps. See the `vxsnap(1M)` manual page for details of this command.

---

- 3 If you are going to create a snapshot volume by breaking off existing plexes, use the following command to add one or more snapshot mirrors to the volume:

```
# vxsnap [-b] [-g diskgroup] addmir volume [nmirror=N] \  
[alloc=storage_attribute[...]]
```

By default, one snapshot plex is added unless you specify a number using the `nmirror` attribute. For a backup, you should usually only require one plex. The mirrors remain in the `SNAPATT` state until they are fully synchronized. The `-b` option can be used to perform the synchronization in the background. Once synchronized, the mirrors are placed in the `SNAPDONE` state.

For example, the following command adds 2 mirrors to the volume, `vol1`, on disks `mydg10` and `mydg11`:

```
# vxsnap -g mydg addmir vol1 nmirror=2 alloc=mydg10,mydg11
```

---

**Note:** Do not perform this step if you create a full-sized snapshot volume using a suitably prepared empty volume, or if you create space-optimized snapshots that use a cache .

---

See [“Creating a volume for use as a full-sized instant snapshot”](#) on page 35.

See [“Creating a shared cache object”](#) on page 36.

If the disks that contain volumes and their snapshots are to be moved into different disk groups, you must ensure that the disks that contain their DCO plexes can accompany them. You can use storage attributes to specify which disks to use for the DCO plexes. (If you do not want to use dirty region logging (DRL) with a volume, you can specify the same disks as those on which the volume is configured, assuming that space is available on the disks). For example, to add a DCO object and DCO volume with plexes on `disk05` and `disk06`, and a region size of 32KB, to the volume, `myvol`, use the following command:

```
# vxsnap -g mydg prepare myvol ndcomirs=2 regionsize=32k \  
alloc=disk05,disk06
```

If required, you can use the `vxassist move` command to relocate DCO plexes to different disks. For example, the following command moves the plexes of the DCO volume for volume `vol1` from `disk03` and `disk04` to `disk07` and `disk08`:

```
# vxassist -g mydg move vol1_dc1 !disk03 !disk04 disk07 \  
disk08
```

To view the details of the DCO object and DCO volume that are associated with a volume, use the `vxprint` command. The following is example `vxprint -vh` output for the volume named `zoo` (the `TUTIL0` and `PUTIL0` columns are omitted for clarity):

TTY	NAME	ASSOC	KSTATE	LENGTH	PLOFFS	STATE
...						
v	zoo	fsgen	ENABLED	1024	-	ACTIVE
pl	zoo-01	zoo	ENABLED	1024	-	ACTIVE
sd	disk01-01	zoo-01	ENABLED	1024	0	-
pl	foo-02	zoo	ENABLED	1024	-	ACTIVE
sd	disk02-01	zoo-02	ENABLED	1024	0	-
dc	zoo_dco	zoo	-	-	-	-
v	zoo_dcl	gen	ENABLED	132	-	ACTIVE
pl	zoo_dcl-01	zoo_dcl	ENABLED	132	-	ACTIVE
sd	disk03-01	zoo_dcl-01	ENABLED	132	0	-
pl	zoo_dcl-02	zoo_dcl	ENABLED	132	-	ACTIVE
sd	disk 04-01	zoo_dcl-02	ENABLED	132	0	-

In this output, the DCO object is shown as `zoo_dco`, and the DCO volume as `zoo_dcl` with 2 plexes, `zoo_dcl-01` and `zoo_dcl-02`.

See “[Considerations for placing DCO plexes](#)” on page 32.

For more information on DCO objects, see the `vxassist(1M)` and `vxsnap(1M)` manual pages.

## Considerations for placing DCO plexes

If you use the `vxassist` command or the Veritas Enterprise Administrator (VEA) to create both a volume and its DCO, or the `vxsnap prepare` command to add a DCO to a volume, the DCO plexes are automatically placed on different disks from the data plexes of the parent volume. In previous releases, version 0 DCO plexes were placed on the same disks as the data plexes for convenience when performing disk group split and move operations. As the version 20 DCOs in VxVM 4.0 and later releases support dirty region logging (DRL) in addition to persistent FastResync, it is preferable for the DCO plexes to be separated from the data plexes. This improves the I/O performance of the volume, and provides resilience for the DRL logs.

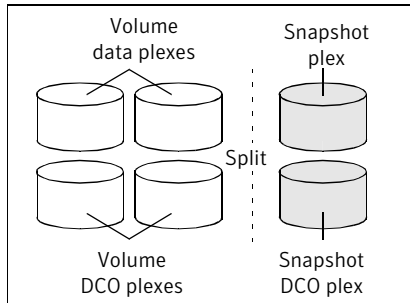
If you use the `vxsnap prepare` command to set up a DCO, you must ensure that the disks that contain the plexes of the DCO volume accompany their parent volume during the move. Use the `vxprint` command on a volume to examine the configuration of its associated DCO volume.



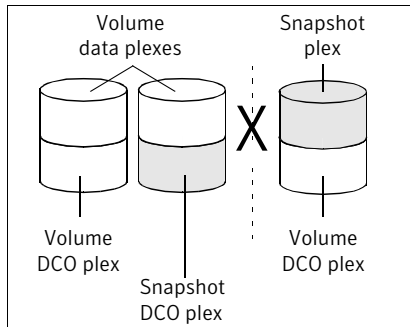
[Figure 2-1](#) illustrates some instances in which it is not possible to split a disk group because of the location of the DCO plexes. Relocate DCO plexes as needed.

See [“Preparing a volume for instant snapshot operations”](#) on page 29.

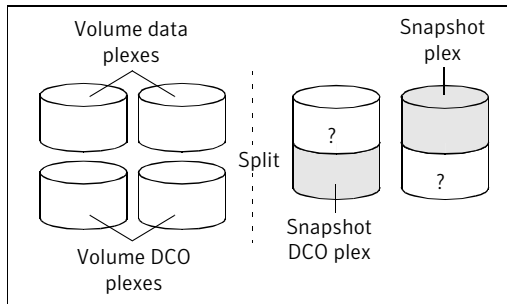
**Figure 2-1** Examples of disk groups that can and cannot be split



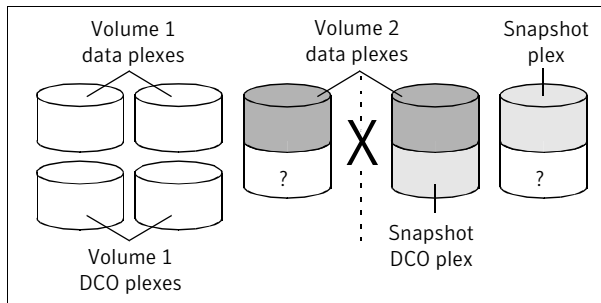
The disk group can be split as the DCO plexes are on dedicated disks, and can therefore accompany the disks that contain the volume data.



The disk group cannot be split as the DCO plexes cannot accompany their volumes. One solution is to relocate the DCO plexes. In this example, use an additional disk in the disk group as an intermediary to swap the misplaced DCO plexes. Alternatively, to improve DRL performance and resilience, allocate the DCO plexes to dedicated disks.



The disk group can be split as the DCO plexes can accompany their volumes. However, you may not wish the data in the portions of the disks marked "?" to be moved as well.



The disk group cannot be split as this would separate the disks that contain the data plexes of Volume 2. Possible solutions are to relocate the snapshot DCO plex to the disk containing the snapshot plex, or to another suitable disk that can be moved.

# Creating a volume for use as a full-sized instant snapshot

If you want to create a full-sized instant snapshot for an original volume that does not contain any spare plexes, you can use an empty volume with the required degree of redundancy, and with the same size and same region size as the original volume.

## To create an empty volume for use by a full-sized instant snapshot

- 1 Use the `vxprint` command on the original volume to find the required size for the snapshot volume.

```
# LEN=`vxprint [-g diskgroup] -F%len volume`
```

---

**Note:** The command shown in this and subsequent steps assumes that you are using a Bourne-type shell such as `sh`, `ksh` or `bash`. You may need to modify the command for other shells such as `csh` or `tcsh`.

---

- 2 Use the `vxprint` command on the original volume to discover the name of its DCO:

```
# DCONAME=`vxprint [-g diskgroup] -F%dco_name volume`
```

- 3 Use the `vxprint` command on the DCO to discover its region size (in blocks):

```
# RSZ=`vxprint [-g diskgroup] -F%regionsz $DCONAME`
```

- 4 Use the `vxassist` command to create a volume, `snapvol`, of the required size and redundancy, together with a version 20 DCO volume with the correct region size:

```
# vxassist [-g diskgroup] make snapvol $LEN \  
[layout=mirror nmirror=number] logtype=dco dnl=no \  
dcover=20 [ndcomirror=number] regionsz=$RSZ \  
init=active [storage_attributes]
```

It is recommended that you specify the same number of DCO mirrors (`ndcomirror`) as the number of mirrors in the volume (`nmirror`). The `init=active` attribute is used to make the volume available immediately. You can use storage attributes to specify which disks should be used for the volume.

As an alternative to creating the snapshot volume and its DCO volume in a single step, you can first create the volume, and then prepare it for instant snapshot operations as shown here:

```
# vxassist [-g diskgroup] make snapvol $LEN \  
[layout=mirror nmirror=number] init=active \  
[storage_attributes]  
# vxsnap [-g diskgroup] prepare snapvol [ndcomirs=number] \  
regionsize=$RSZ [storage_attributes]
```

## Creating a shared cache object

If you need to create several instant space-optimized snapshots for the volumes in a disk group, you may find it more convenient to create a single shared cache object in the disk group rather than a separate cache object for each snapshot.

### To create a shared cache object

- 1 Decide on the following characteristics that you want to allocate to the cache volume that underlies the cache object:
  - The size of the cache volume should be sufficient to record changes to the parent volumes during the interval between snapshot refreshes. A suggested value is 10% of the total size of the parent volumes for a refresh interval of 24 hours.

- If redundancy is a desired characteristic of the cache volume, it should be mirrored. This increases the space that is required for the cache volume in proportion to the number of mirrors that it has.
  - If the cache volume is mirrored, space is required on at least as many disks as it has mirrors. These disks should not be shared with the disks used for the parent volumes. The disks should also be chosen to avoid impacting I/O performance for critical volumes, or hindering disk group split and join operations.
- 2 Having decided on its characteristics, use the `vxassist` command to create the volume that is to be used for the cache volume. The following example creates a mirrored cache volume, `cachevol`, with size 1GB in the disk group, `mydg`, on the disks `mydg16` and `mydg17`:

```
# vxassist -g mydg make cachevol 1g layout=mirror \  
  init=active mydg16 mydg17
```

The attribute `init=active` is specified to make the cache volume immediately available for use.

- 3 Use the `vxmake cache` command to create a cache object on top of the cache volume that you created in the previous step:

```
# vxmake [-g diskgroup] cache cache_object \  
cachevolname=volume [regionsize=size] [autogrow=on] \  
[highwatermark=hwmk] [autogrowby=agbvalue] \  
[maxautogrow=maxagbvalue]
```

If the region size, `regionsize`, is specified, it must be a power of 2, and be greater than or equal to 16KB (16k). If not specified, the region size of the cache is set to 64KB.

---

**Note:** All space-optimized snapshots that share the cache must have a region size that is equal to or an integer multiple of the region size set on the cache. Snapshot creation also fails if the original volume's region size is smaller than the cache's region size.

---

If the cache is to be allowed to grow in size as required, specify `autogrow=on`. By default, the ability to automatically grow the cache is turned off.

In the following example, the cache object, `cobjmydg`, is created over the cache volume, `cachevol`, the region size of the cache is set to 32KB, and the `autogrow` feature is enabled:

```
# vxmake -g mydg cache cobjmydg cachevolname=cachevol \  
regionsize=32k autogrow=on
```

- 4 Having created the cache object, use the following command to enable it:

```
# vxcache [-g diskgroup] start cache_object
```

For example to start the cache object, `cobjmydg`:

```
# vxcache -g mydg start cobjmydg
```

## Tuning the autogrow attributes

The `highwatermark`, `autogrowby` and `maxautogrow` attributes determine how the VxVM cache daemon (`vxcached`) maintains the cache if the `autogrow` feature has been enabled:

- When cache usage reaches the high watermark value, `highwatermark` (default value is 90 percent), and the new required cache size would not exceed the value of `maxautogrow` (default value is twice the size of the cache volume in

blocks), `vxcached` grows the size of the cache volume by the value of `autogrowby` (default value is 20% of the size of the cache volume in blocks).

- When cache usage reaches the high watermark value, and the new required cache size would exceed the value of `maxautogrow`, `vxcached` deletes the oldest snapshot in the cache. If there are several snapshots with the same age, the largest of these is deleted.

If the `autogrow` feature has been disabled:

- When cache usage reaches the high watermark value, `vxcached` deletes the oldest snapshot in the cache. If there are several snapshots with the same age, the largest of these is deleted. If there is only a single snapshot, this snapshot is detached and marked as invalid.

---

**Note:** The `vxcached` daemon does not remove snapshots that are currently open, and it does not remove the last or only snapshot in the cache.

---

If the cache space becomes exhausted, the snapshot is detached and marked as invalid. If this happens, the snapshot is unrecoverable and must be removed. Enabling the `autogrow` feature on the cache helps to avoid this situation occurring. However, for very small caches (of the order of a few megabytes), it is possible for the cache to become exhausted before the system has time to respond and grow the cache. In such cases, use the `vxcache` command to increase the size of the cache, or to reduce the value of `highwatermark`.

If necessary, you can use the `vxcache set` command to change other `autogrow` attribute values for a cache. For example, you can use the `maxautogrow` attribute to limit the maximum size to which a cache can grow. To estimate this size, consider how much the contents of each source volume are likely to change between snapshot refreshes, and allow some additional space for contingency.

---

**Warning:** Ensure that the cache is sufficiently large, and that the `autogrow` attributes are configured correctly for your needs.

---

See the `vxcache(1M)` manual page and the “Administering Volume Snapshots” chapter in the *Veritas Volume Manager Administrator’s Guide* for more information including how to grow, shrink and remove a storage cache.





# Online database backup

This chapter includes the following topics:

- [About online database backup](#)
- [Making a backup of an online database on the same host](#)
- [Making an off-host backup of an online database](#)

## About online database backup

Online backup of a database can be implemented by configuring either the primary host or a dedicated separate host to perform the backup operation on snapshot mirrors of the primary host's database.

Two backup methods are described in the following sections:

- [Making a backup of an online database on the same host](#)
- [Making an off-host backup of an online database](#)

---

**Note:** All commands require superuser (`root`) or equivalent privileges, except where it is explicitly stated that a command must be run by the database administrator.

---

For more information about using snapshots to back up DB2, Oracle and Sybase databases, see the corresponding *Database Administrator's Guide* that accompanies the Veritas Storage Foundation for DB2, Oracle or Sybase software.

The following sections include sample scripts:

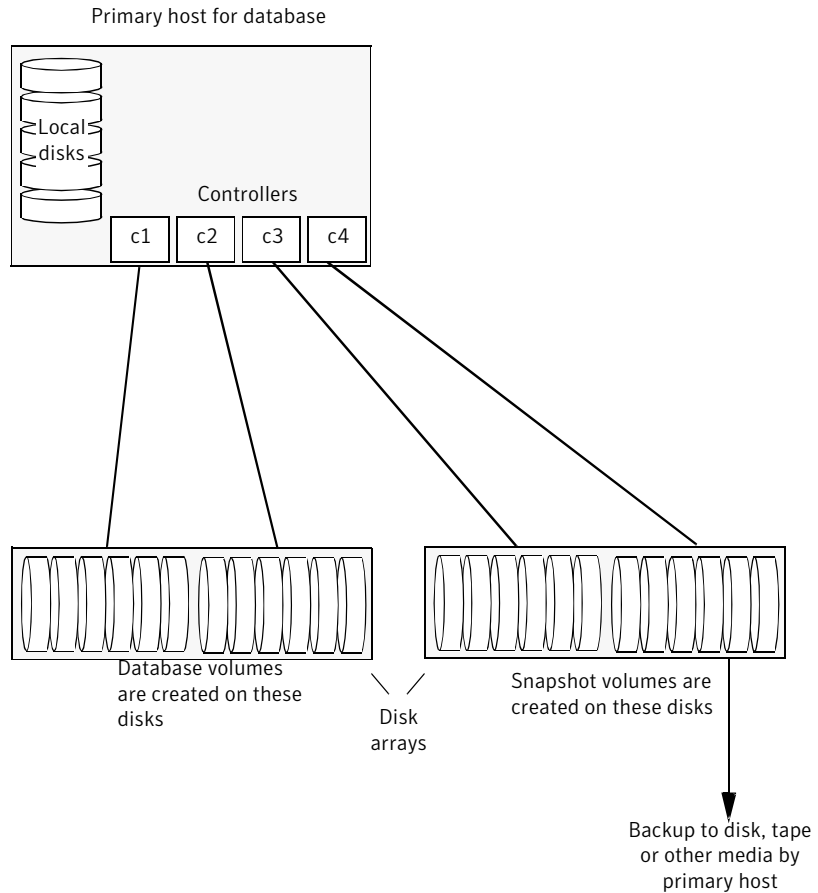
- [Script to initiate online off-host backup of an Oracle database](#)
- [Script to put an Oracle database into hot backup mode](#)
- [Script to quiesce a Sybase ASE database](#)

- [Script to suspend I/O for a DB2 database](#)
- [Script to end Oracle database hot backup mode](#)
- [Script to release a Sybase ASE database from quiesce mode](#)
- [Script to resume I/O for a DB2 database](#)
- [Script to perform off-host backup](#)

## Making a backup of an online database on the same host

[Figure 3-1](#) shows an example with two primary database volumes to be backed up, `dbase_vol` and `dbase_logs`, which are configured on disks attached to controllers `c1` and `c2`, and the snapshots to be created on disks attached to controllers `c3` and `c4`.

**Figure 3-1** Example system configuration for database backup on the primary host



---

**Note:** It is assumed that you have already prepared the volumes containing the file systems for the datafiles to be backed up as described in the example.

---

See [“About setting up volumes for instant snapshots”](#) on page 27.

For an Oracle database, it is not necessary to create snapshots of the volumes containing the file systems for the redo log volumes or archived logs.

#### To make a backup of an online database on the same host

- 1 Use the following commands to add one or more snapshot plexes to the volume, and to make a full-sized break-off snapshot, *snapvol*, of the tablespace volume by breaking off these plexes:

```
# vxsnap -g volumedg addmir volume [nmirror=N] \  
[alloc=storage_attributes]  
# vxsnap -g volumedg make \  
source=volume/newvol=snapvol[/nmirror=N] \  
[alloc=storage_attributes]
```

By default, one snapshot plex is added unless you specify a number using the `nmirror` attribute. For a backup, you should usually only require one plex. You can specify storage attributes (such as a list of disks) to determine where the plexes are created.

If the volume layout does not support plex break-off, prepare an empty volume for the snapshot.

See [“Creating a volume for use as a full-sized instant snapshot”](#) on page 35.

Then use the following command to create the snapshot:

```
# vxsnap -g volumedg make source=volume/snapvol=snapvol
```

If a database spans more than one volume, specify all the volumes and their snapshot volumes as separate tuples on the same line, for example:

```
# # vxsnap -g dbasedg make source=vol1/snapvol=svol1 \  
source=vol2/newvol=svol2 source=vol3/snapvol=svol3
```

If you want to save disk space, you can use the following command to create a space-optimized snapshot instead:

```
# vxsnap -g volumedg make \  
source=volume/newvol=snapvol/cache=cacheobject
```

The argument `cacheobject` is the name of a pre-existing cache that you have created in the disk group for use with space-optimized snapshots.

See [“Creating a shared cache object”](#) on page 36.

If several space-optimized snapshots are to be created at the same time, these can all specify the same cache object as shown in this example:

```
# vxsnap -g dbasedg make \  
source=vol1/newvol=svol1/cache=dbaseco \  
source=vol2/newvol=svol2/cache=dbaseco \  
source=vol3/newvol=svol3/cache=dbaseco
```

---

**Note:** This step sets up the snapshot volumes ready for the backup cycle, and starts tracking changes to the original volumes.

---

When you are ready to make a backup, proceed to step 2.

- 2 If the volumes to be backed up contain database tables in file systems, suspend updates to the volumes:
  - DB2 provides the `write suspend` command to temporarily suspend I/O activity for a database. As the DB2 database administrator, use a script such as that shown in the example.  
 See [“Script to suspend I/O for a DB2 database”](#) on page 88.  
 Note that to allow recovery from any backups taken from snapshots, the database must be in LOGRETAIN RECOVERY mode.
  - Oracle supports online backup by temporarily suspending updates to the datafiles of the tablespaces, provided that the database is running in archive mode and the tablespaces are online. As the Oracle database administrator, put each tablespace into hot backup mode using a script such as that shown in the example.  
 See [“Script to put an Oracle database into hot backup mode”](#) on page 87.
  - Sybase ASE from version 12.0 onward provides the Quiesce feature to allow temporary suspension of writes to a database. As the Sybase database administrator, put the database in quiesce mode by using a script such as that shown in the example.  
 See [“Script to quiesce a Sybase ASE database”](#) on page 87.
- 3 Refresh the contents of the snapshot volumes from the original volume using the following command:

```
# vxsnap -g volumedg refresh snapvol source=vol \
  [snapvol2 source=vol2]...
```

For example, to refresh the snapshots `svol1`, `svol2` and `svol3`:

```
# vxsnap -g dbasedg refresh svol1 source=vol1 \
  svol2 source=vol2 svol3 source=vol3
```

- 4 If you temporarily suspended updates to volumes in step 2, release all the tablespaces or databases from suspend, hot backup or quiesce mode:
  - As the DB2 database administrator, use a script such as that shown in the example.  
 See [“Script to resume I/O for a DB2 database”](#) on page 89.
  - As the Oracle database administrator, release all the tablespaces from hot backup mode using a script such as that shown in the example.  
 See [“Script to end Oracle database hot backup mode”](#) on page 88.

- As the Sybase database administrator, release the database from quiesce mode using a script such as that shown in the example.  
See “[Script to release a Sybase ASE database from quiesce mode](#)” on page 89.
- 5 Back up the snapshot volume. If you need to remount the file system in the volume to back it up, first run `fsck` on the volume. The following are sample commands for checking and mounting a file system:

```
# fsck -F vxfs /dev/vx/rdisk/snapvoldg/snapvol
# mount -F vxfs /dev/vx/dsk/snapvoldg/snapvol mount_point
```

---

**Note:** On Linux, use the `-t` option, and on AIX, use the `-v` option, instead of the `-F` option for both commands.

---

Back up the file system at this point using a command such as `bpbackup` in Symantec NetBackup. After the backup is complete, use the following command to unmount the file system.

```
# unmount mount_point
```

Repeat steps 2 through 5 each time that you need to back up the volume.

In some instances, such as recovering the contents of a corrupted volume, it may be useful to resynchronize a volume from its snapshot volume (which is used as a hot standby):

```
# vxsnap -g diskgroup restore volume source=snapvol \
  destroy=yes|no
```

The `destroy` attribute specifies whether the plexes of the snapshot volume are to be reattached to the original volume. For example, to resynchronize the volume `dbase_vol` from its snapshot volume `snap2_dbase_vol` without removing the snapshot volume:

```
# vxsnap -g dbasedg restore dbase_vol \
  source=snap2_dbase_vol destroy=no
```

---

**Note:** You must shut down the database and unmount the file system that is configured on the original volume before attempting to resynchronize its contents from a snapshot.

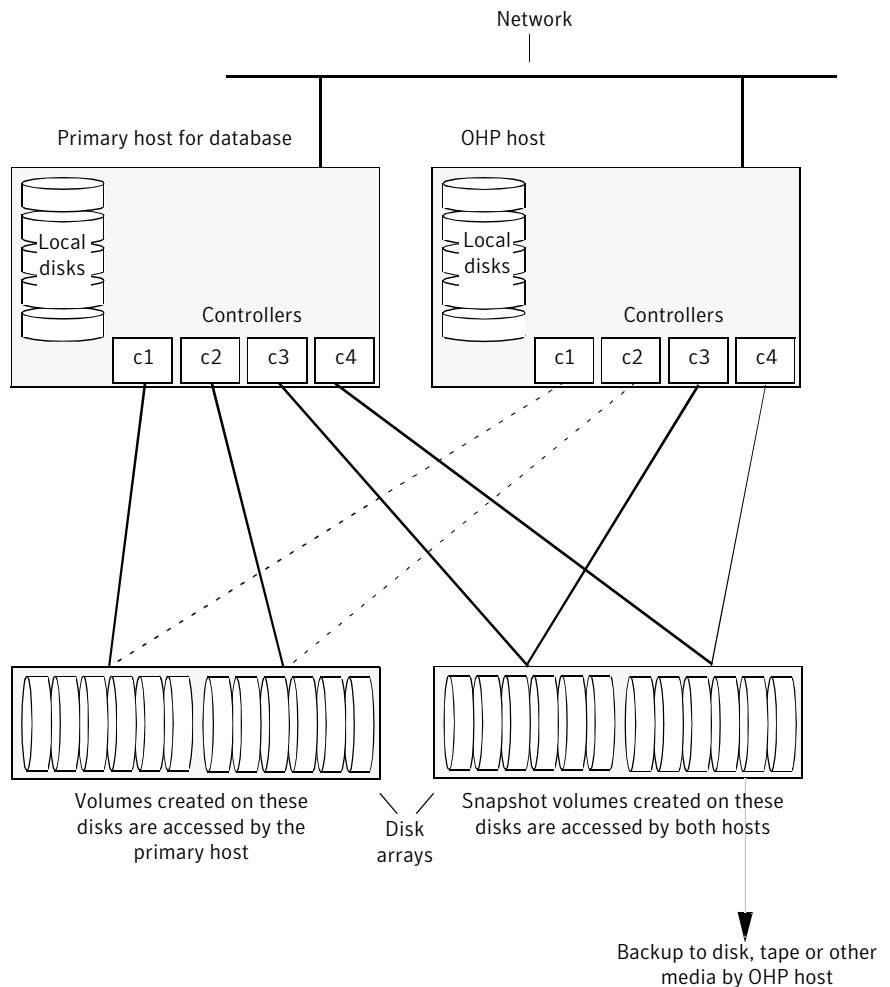
---

# Making an off-host backup of an online database

Figure 3-2 shows an example of two primary database volumes to be backed up, `dbase_vol1` and `dbase_logs`, which are configured on disks attached to controllers `c1` and `c2`, and the snapshots to be created on disks attached to controllers `c3` and `c4`.

There is no requirement for the OHP host to have access to the disks that contain the primary database volumes.

Figure 3-2 Example system configuration for off-host database backup



---

**Note:** It is assumed that you have already prepared the volumes containing the file systems for the datafiles to be backed up as described in the example.

---

See [“About setting up volumes for instant snapshots”](#) on page 27.

For an Oracle database, it is not necessary to create snapshots of the volumes containing the file systems for the redo log volumes or archived logs.

If the database is configured on volumes in a cluster-shareable disk group, it is assumed that the primary host for the database is the master node for the cluster. If the primary host is not also the master node, all VxVM operations on shared disk groups must be performed on the master node.

The procedure in this section is designed to minimize copy-on-write operations that can impact system performance. You can also implement this procedure on a single host by omitting steps 5 through 8 and 10 through 13 that split, deport, reimport and rejoin the snapshot disk group.

#### To make an off-host backup of an online database

- 1 On the primary host, add one or more snapshot plexes to the volume using this command:

```
# vxsnap -g volumedg addmir volume [nmirror=N] \  
[alloc=storage_attributes]
```

By default, one snapshot plex is added unless you specify a number using the `nmirror` attribute. For a backup, you should usually only require one plex. You can specify storage attributes (such as a list of disks) to determine where the plexes are created.

- 2 Suspend updates to the volumes:

- DB2 provides the `write suspend` command to temporarily suspend I/O activity for a database. As the DB2 database administrator, use a script such as that shown in the example.

See [“Script to suspend I/O for a DB2 database”](#) on page 88.

Note that to allow recovery from any backups taken from snapshots, the database must be in LOGRETAIN RECOVERY mode.

- Oracle supports online backup by temporarily suspending updates to the datafiles of the tablespaces, provided that the database is running in archive mode and the tablespaces are online. As the Oracle database administrator, put each tablespace into hot backup mode using a script such as that shown in the example.

See [“Script to put an Oracle database into hot backup mode”](#) on page 87.



- Sybase ASE from version 12.0 onward provides the Quiesce feature to allow temporary suspension of writes to a database. As the Sybase database administrator, put the database in quiesce mode by using a script such as that shown in the example.  
 See [“Script to quiesce a Sybase ASE database”](#) on page 87.
- 3 Use the following command to make a full-sized snapshot, *snapvol*, of the tablespace volume by breaking off the plexes that you added in step 1 from the original volume:

```
# vxsnap -g volumedg make \
    source=volume/newvol=snapvol/nmirror=N \
    [alloc=storage_attributes]
```

The `nmirror` attribute specifies the number of mirrors, *N*, in the snapshot volume.

If a database spans more than one volume, specify all the volumes and their snapshot volumes as separate tuples on the same line, for example:

```
# vxsnap -g dbasedg make source=vol1/newvol=svol1 \
    source=vol2/newvol=svol2 source=vol3/newvol=svol3 \
    alloc=ctlr:c3,ctlr:c4
```

This step sets up the snapshot volumes ready for the backup cycle, and starts tracking changes to the original volumes.

- 4 Release all the tablespaces or databases from suspend, hot backup or quiesce mode:
- As the DB2 database administrator, use a script such as that shown in the example.  
 See [“Script to resume I/O for a DB2 database”](#) on page 89.
  - As the Oracle database administrator, release all the tablespaces from hot backup mode using a script such as that shown in the example.  
 See [“Script to end Oracle database hot backup mode”](#) on page 88.
  - As the Sybase database administrator, release the database from quiesce mode using a script such as that shown in the example.  
 See [“Script to release a Sybase ASE database from quiesce mode”](#) on page 89.
- 5 On the primary host, use the following command to split the disks containing the snapshot volumes into a separate disk group, *snapvoldg*, from the original disk group, *volumedg*:

```
# vxdg split volumedg snapvoldg snapvol ...
```

- 6 On the primary host, deport the snapshot volume's disk group using the following command:

```
# vxdg deport snapvoldg
```

- 7 On the OHP host where the backup is to be performed, use the following command to import the snapshot volume's disk group:

```
# vxdg import snapvoldg
```

- 8 The snapshot volumes are initially disabled following the split. Use the following command on the OHP host to recover and restart the snapshot volumes:

```
# vxrecover -g snapvoldg -m snapvol ...
```

- 9 On the OHP host, back up the snapshot volumes. If you need to remount the file system in the volume to back it up, first run `fsck` on the volumes. The following are sample commands for checking and mounting a file system:

```
# fsck -F vxfs /dev/vx/rdisk/snapvoldg/snapvol  
# mount -F vxfs /dev/vx/dsk/snapvoldg/snapvol mount_point
```

---

**Note:** On Linux, use the `-t` option, and on AIX, use the `-v` option, instead of the `-F` option for both commands.

---

Back up the file system using a command such as `bbbackup` in Symantec NetBackup. After the backup is complete, use the following command to unmount the file system.

```
# unmount mount_point
```

- 10 On the OHP host, use the following command to deport the snapshot volume's disk group:

```
# vxdg deport snapvoldg
```

- 11 On the primary host, re-import the snapshot volume's disk group using the following command:

```
# vxdg [-s] import snapvoldg
```

---

**Note:** Specify the `-s` option if you are reimporting the disk group to be rejoined with a shared disk group in a cluster.

---

- 12 On the primary host, use the following command to rejoin the snapshot volume's disk group with the original volume's disk group:

```
# vxdg join snapvoldg volumedg
```

- 13 The snapshot volume is initially disabled following the join. Use the following command on the primary host to recover and restart a snapshot volume:

```
# vxrecover -g volumedg -m snapvol
```

- 14 On the primary host, reattach the snapshot volumes to their original volume using the following command:

```
# vxsnap -g volumedg reattach snapvol source=vol \  

   [snapvol2 source=vol2]...
```

For example, to reattach the snapshot volumes `svol1`, `svol2` and `svol3`:

```
# vxsnap -g dbasedg reattach svol1 source=vol1 \  

   svol2 source=vol2 svol3 source=vol3
```

While the reattached plexes are being resynchronized from the data in the parent volume, they remain in the `SNAPTMP` state. After resynchronization is complete, the plexes are placed in the `SNAPDONE` state. You can use the `vxsnap print` command to check on the progress of synchronization.

Repeat steps 2 through 14 each time that you need to back up the volume.

For an example of a script that uses this method, see [Script to initiate online off-host backup of an Oracle database](#).

In some instances, such as recovering the contents of a corrupted volume, it may be useful to resynchronize a volume from its snapshot volume (which is used as a hot standby):

```
# vxsnap -g diskgroup restore volume source=snapvol \  

   destroy=yes|no
```

The `destroy` attribute specifies whether the plexes of the snapshot volume are to be reattached to the original volume. For example, to resynchronize the volume `dbase_vol` from its snapshot volume `snap2_dbase_vol` without removing the snapshot volume:

```
# vxsnap -g dbasedg restore dbase_vol \  
    source=snap2_dbase_vol destroy=no
```

---

**Note:** You must shut down the database and unmount the file system that is configured on the original volume before attempting to resynchronize its contents from a snapshot.

---

# Off-host cluster file system backup

This chapter includes the following topics:

- [About off-host cluster file system backup](#)
- [Mounting a file system for shared access](#)
- [Using off-host processing to back up cluster file systems](#)

## About off-host cluster file system backup

Veritas Cluster File System (CFS) allows cluster nodes to share access to the same file system. CFS is especially useful for sharing read-intensive data between cluster nodes.

Off-host backup of cluster file systems may be implemented by taking a snapshot of the volume containing the file system and performing the backup operation on a separate host.

[Figure 4-1](#) shows an example where the primary volume that contains the file system to be backed up is configured on disks attached to controllers `c1` and `c2`, and the snapshots are to be created on disks attached to controllers `c3` and `c4`.

You can mount a VxFS file system for shared access by the nodes of a cluster.

See [“Mounting a file system for shared access”](#) on page 54.

You can perform off-host backups of cluster-shared file systems.

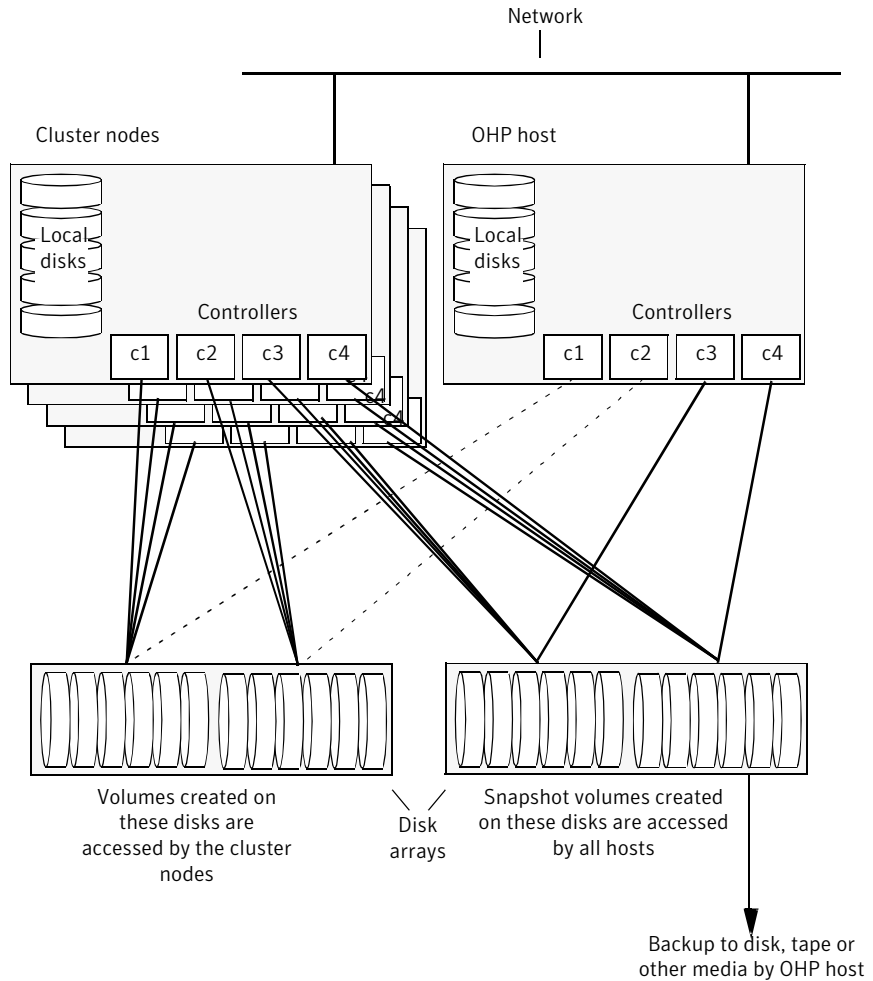
See [“Using off-host processing to back up cluster file systems”](#) on page 55.

---

**Note:** All commands require superuser (`root`) or equivalent privileges.

---

Figure 4-1 System configuration for off-host file system backup scenarios



## Mounting a file system for shared access

To mount a VxFS file system for shared access, use the following command on each cluster node where required:

```
# mount -F vxfs -o cluster /dev/vx/dsk/diskgroup/volume mount_point
```

For example, to mount the volume `cfs_vol` in the disk group `exampledg` for shared access on the mount point, `/mnt_pnt`:

```
# mount -F vxfs -o cluster /dev/vx/dsk/EXAMPLEDg/cfs_vol /mnt_pnt
```

## Using off-host processing to back up cluster file systems

Before using this procedure, you must prepare the volumes containing the file systems that are to be backed up.

See “[About setting up volumes for instant snapshots](#)” on page 27.

---

**Warning:** This procedure assumes that you have already prepared the volumes containing the file systems that are to be backed up.

---

### To back up a snapshot of a mounted file system which has shared access

- 1 On the master node of the cluster, use the following command to make a full-sized snapshot, `snapvol`, of the volume containing the file system by breaking off plexes from the original volume:

```
# vxsnap -g volumedg make \  
  source=volume/newvol=snapvol/nmirror=N
```

The `nmirror` attribute specifies the number of mirrors, `N`, in the snapshot volume.

For example, to take a snapshot of the volume `cfs_vol` in the shared disk group `exampledg`:

```
# vxsnap -g exampledg make source=cfs_vol/newvol=scfs_vol \  
/nmirror=1
```

If the volume does not have any available plexes, or its layout does not support plex break-off, prepare an empty volume for the snapshot.

See [“Creating a volume for use as a full-sized instant snapshot”](#) on page 35.

Then use the following command to create the snapshot:

```
# vxsnap -g volumedg make source=volume/snapvol=snapvol
```

---

**Note:** This step sets up the snapshot volumes ready for the backup cycle, and starts tracking changes to the original volumes.

---

When you are ready to make a backup, proceed to step 2.

- 2 On the master node, refresh the contents of the snapshot volumes from the original volume using the following command:

```
# vxsnap -g volumedg refresh snapvol source=vol \  
  [snapvol2 source=vol2]... syncing=yes
```

The `syncing=yes` attribute starts a synchronization of the snapshot in the background.

For example, to refresh the snapshot `scfs_vol`:

```
# vxsnap -g exampledg refresh scfs_vol source=cfs_vol \  
  syncing=yes
```



- 3 On the master node, use the following command to wait for the contents of the snapshot to be fully synchronous with the contents of the original volume:

```
# vxsnap -g volumedg syncwait snapvol
```

For example, to wait for synchronization to finish for the snapshots `scfs_vol`:

```
# vxsnap -g exampledg syncwait scfs_vol
```

---

**Note:** You cannot move a snapshot volume into a different disk group until synchronization of its contents is complete. You can use the `vxsnap print` command to check on the progress of synchronization.

---

- 4 On the master node, use the following command to split the snapshot volume into a separate disk group, `snapvoldg`, from the original disk group, `volumedg`:

```
# vxdg split volumedg snapvoldg snapvol
```

For example, to place the snapshot of the volume `cfs_vol` into the shared disk group `splitdg`:

```
# vxdg split exampledg splitdg scfs_vol
```

- 5 On the master node, deport the snapshot volume's disk group using the following command:

```
# vxdg deport snapvoldg
```

For example, to deport the disk group `splitdg`:

```
# vxdg deport splitdg
```

- 6 On the OHP host where the backup is to be performed, use the following command to import the snapshot volume's disk group:

```
# vxdg import snapvoldg
```

For example, to import the disk group `splitdg`:

```
# vxdg import splitdg
```

- 7 The snapshot volume is initially disabled following the split. Use the following command on the OHP host to recover and restart the snapshot volume:

```
# vxrecover -g snapvoldg -m snapvol
```

- 8 On the OHP host, use the following commands to check and locally mount the snapshot volume:

```
# fsck -F vxfs /dev/vx/rdisk/diskgroup/volume
# mount -F vxfs /dev/vx/dsk/diskgroup/volume mount_point
```

---

**Note:** On Linux, use the `-t` option, and on AIX, use the `-v` option, instead of the `-F` option for both commands.

---

For example, to check and mount the volume `scfs_vol` in the disk group `exampledg` for shared access on the mount point, `/bak/mnt_pnt`:

```
# fsck -F vxfs /dev/vx/rdisk/exampledg/scfs_vol
# mount -F vxfs /dev/vx/dsk/exampledg/scfs_vol /bak/mnt_pnt
```

- 9 Back up the file system at this point using a command such as `bbbackup` in Symantec NetBackup. After the backup is complete, use the following command to unmount the file system.

```
# umount mount_point
```

- 10 On the OHP host, use the following command to deport the snapshot volume's disk group:

```
# vxdg deport snapvoldg
```

- 11 On the master node, re-import the snapshot volume's disk group as a shared disk group using the following command:

```
# vxdg -s import snapvoldg
```

- 12 On the master node, use the following command to rejoin the snapshot volume's disk group with the original volume's disk group:

```
# vxdg join snapvoldg volumedg
```

For example, to join disk group `splitdg` with `exampledg`:

```
# vxdg join splitdg exampledg
```

- 13 The snapshot volume is initially disabled following the join. Use the following command on the primary host to recover and restart the snapshot volume:

```
# vxrecover -g volumedg -m snapvol
```

- 14 When the backup is complete, use the following command to unmount the snapshot volume, and make it ready for its contents to be refreshed from the primary volume:

```
# umount mount_point
```

When synchronization is complete, the snapshot is ready to be re-used for backup.

---

**Warning:** Before attempting to unmount the snapshot, shut down all applications that access a file system in the snapshot volume, and also unmount any such file system.

---

Repeat steps 2 through 14 each time that you need to back up the volume.

In some instances, such as recovering the contents of a corrupted volume, it may be useful to resynchronize a volume from its snapshot volume (which is used as a hot standby):

```
# vxsnap -g diskgroup restore volume source=snapvol  
destroy=yes|no
```

The `destroy` attribute specifies whether the plexes of the snapshot volume are to be reattached to the original volume. For example, to resynchronize the volume `cfs_vol` from its snapshot volume `scfs_vol`:

```
# vxsnap -g exampledg restore cfs_vol source=scfs_vol destroy=no
```

---

**Note:** You must unmount the file system that is configured on the original volume before attempting to resynchronize its contents from a snapshot.

---

## Reattaching snapshot plexes

Some or all plexes of an instant snapshot may be reattached to the specified original volume, or to a source volume in the snapshot hierarchy above the snapshot volume.

---

**Note:** This operation is not supported for space-optimized instant snapshots.

---

By default, all the plexes are reattached, which results in the removal of the snapshot. If required, the number of plexes to be reattached may be specified as the value assigned to the `nmirror` attribute.

---

**Note:** The snapshot being reattached must not be open to any application. For example, any file system configured on the snapshot volume must first be unmounted.

---

#### To reattach a snapshot

- ◆ Use the following command to reattach an instant snapshot to the specified original volume, or to a source volume in the snapshot hierarchy above the snapshot volume:

```
# vxsnap [-g diskgroup] reattach snapvol source=vol \  
[nmirror=number]
```

For example the following command reattaches 1 plex from the snapshot volume, `snapmyvol`, to the volume, `myvol`:

```
# vxsnap -g mydg reattach snapmyvol source=myvol nmirror=1
```

While the reattached plexes are being resynchronized from the data in the parent volume, they remain in the `SNAPTMP` state. After resynchronization is complete, the plexes are placed in the `SNAPDONE` state.

# Decision support

This chapter includes the following topics:

- [About decision support](#)
- [Creating a replica database on the same host](#)
- [Creating an off-host replica database](#)

## About decision support

You can use snapshots of a primary database to create a replica of the database at a given moment in time. You can then implement decision support analysis and report generation operations that take their data from the database copy rather than from the primary database. The FastResync functionality of Veritas Volume Manager (VxVM) allows you to quickly refresh the database copy with up-to-date information from the primary database. Reducing the time taken to update decision support data also lets you generate analysis reports more frequently.

Two methods are described for setting up a replica database for decision support:

- [Creating a replica database on the same host](#)
- [Creating an off-host replica database](#)

---

**Note:** All commands require superuser (`root`) or equivalent privileges, except where it is explicitly stated that a command must be run by the database administrator.

---

The following sections include sample scripts:

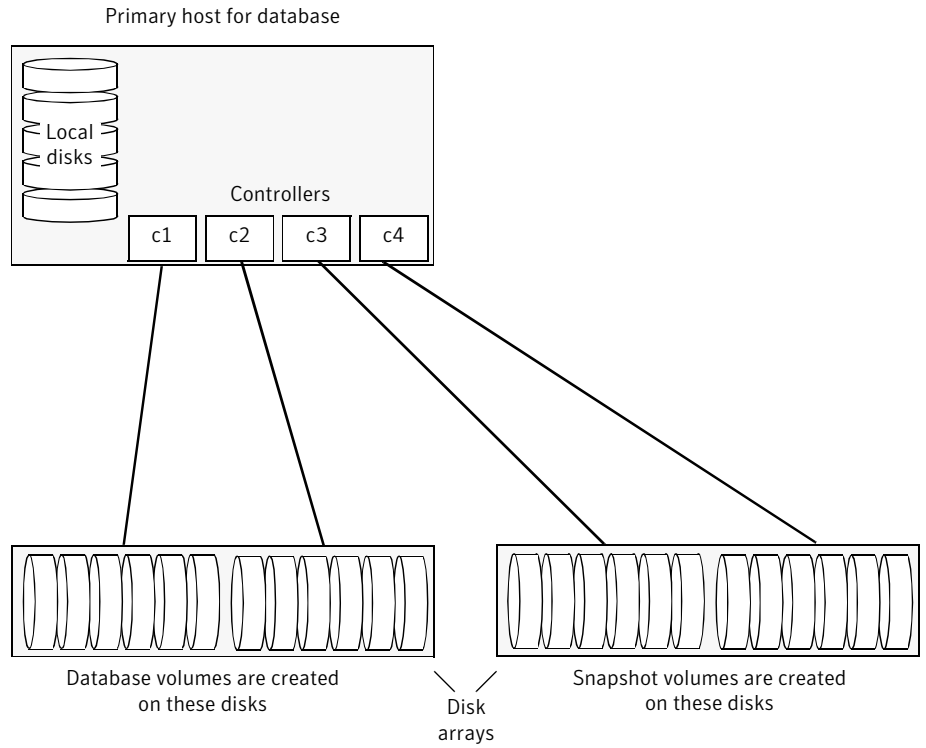
- [Script to put an Oracle database into hot backup mode](#)
- [Script to quiesce a Sybase ASE database](#)

- Script to suspend I/O for a DB2 database
- Script to end Oracle database hot backup mode
- Script to release a Sybase ASE database from quiesce mode
- Script to resume I/O for a DB2 database
- Script to create an off-host replica Oracle database
- Script to complete, recover and start a replica Oracle database
- Script to start a replica Sybase ASE database

## Creating a replica database on the same host

Figure 5-1 shows an example where the primary database volumes to be backed up, `dbase_vol` and `dbase_logs`, are configured on disks attached to controllers `c1` and `c2`, and the snapshots are to be created on disks attached to controllers `c3` and `c4`.

**Figure 5-1** Example system configuration for decision support on the primary host



---

**Note:** It is assumed that you have already prepared the database volumes to be replicated as described in the example.

---

See [“About setting up volumes for instant snapshots”](#) on page 27.

**To set up a replica database to be used for decision support on the primary host**

- 1** If you have not already done so, prepare the host to use the snapshot volume that contains the copy of the database tables. Set up any new database logs and configuration files that are required to initialize the database.



- 2 Use the following command to make a full-sized snapshot, *snapvol*, of the tablespace volume by breaking off plexes from the original volume:

```
# vxsnap -g volumedg make \  
    source=volume/newvol=snapvol/nmirror=N
```

The `nmirror` attribute specifies the number of mirrors, *N*, in the snapshot volume.

If the volume does not have any available plexes, or its layout does not support plex break-off, prepare an empty volume for the snapshot.

See [“Creating a volume for use as a full-sized instant snapshot”](#) on page 35.

Then use the following command to create the snapshot:

```
# vxsnap -g volumedg make source=volume/snapvol=snapvol
```

If a database spans more than one volume, specify all the volumes and their snapshot volumes as separate tuples on the same line, for example:

```
# vxsnap -g dbasedg make \  
source=vol1/snapvol=svol1/nmirror=2 \  
source=vol2/snapvol=svol2/nmirror=2 \  
source=vol3/snapvol=svol3/nmirror=2
```

If you want to save disk space, you can use the following command to create a space-optimized snapshot instead:

```
# vxsnap -g volumedg make \  
    source=volume/newvol=snapvol/cache=cacheobject
```

The argument `cacheobject` is the name of a pre-existing cache that you have created in the disk group for use with space-optimized snapshots.

See [“Creating a shared cache object”](#) on page 36.

If several space-optimized snapshots are to be created at the same time, these can all specify the same cache object as shown in this example:

```
# vxsnap -g dbasedg make \  
    source=vol1/newvol=svol1/cache=dbaseco \  
    source=vol2/newvol=svol2/cache=dbaseco \  
    source=vol3/newvol=svol3/cache=dbaseco
```

See the section “Creating a Share Cache Object” in the “Administering Volume Snapshots” chapter of the *Veritas Volume Manager Administrator’s Guide* for more information.

---

**Note:** This step sets up the snapshot volumes, and starts tracking changes to the original volumes.

---

When you are ready to create the replica database, proceed to step 3.

- 3 If the volumes to be backed up contain database tables in file systems, suspend updates to the volumes:
  - DB2 provides the `write suspend` command to temporarily suspend I/O activity for a database. As the DB2 database administrator, use a script such as that shown in the example. Note that to allow recovery from any backups taken from snapshots, the database must be in LOGRETAIN RECOVERY mode.  
See [“Script to suspend I/O for a DB2 database”](#) on page 88.
  - Oracle supports online backup by temporarily suspending updates to the datafiles of the tablespaces, provided that the database is running in archive mode and the tablespaces are online. As the Oracle database administrator, put each tablespace into hot backup mode using a script such as that shown in the example.  
See [“Script to put an Oracle database into hot backup mode”](#) on page 87.
  - Sybase ASE from version 12.0 onward provides the Quiesce feature to allow temporary suspension of writes to a database. As the Sybase database administrator, put the database in quiesce mode by using a script such as that shown in the example.  
See [“Script to quiesce a Sybase ASE database”](#) on page 87.  
If you are using Sybase ASE 12.5, you can specify the `for external dump` clause to the `quiesce` command. This warm standby method allows you to update a replica database using transaction logs dumped from the primary database.  
See [“Updating a warm standby Sybase ASE 12.5 database”](#) on page 75.
- 4 Refresh the contents of the snapshot volumes from the original volume using the following command:

```
# vxsnap -g volumedg refresh snapvol source=vol \  
[snapvol2 source=vol2]...
```

For example, to refresh the snapshots `svol1`, `svol2` and `svol3`:

```
# vxsnap -g dbasedg refresh svol1 source=vol1 \  
svol2 source=vol2 svol3 source=vol3
```

- 5 If you temporarily suspended updates to volumes in step 3, perform the following steps.

Release all the tablespaces or databases from suspend, hot backup or quiesce mode:

- As the DB2 database administrator, use a script such as that shown in the example.  
See “[Script to resume I/O for a DB2 database](#)” on page 89.
- As the Oracle database administrator, release all the tablespaces from hot backup mode using a script such as that shown in the example.  
See “[Script to end Oracle database hot backup mode](#)” on page 88.
- As the Sybase database administrator, release the database from quiesce mode using a script such as that shown in the example.  
See “[Script to release a Sybase ASE database from quiesce mode](#)” on page 89.  
If you are using Sybase ASE 12.5, you can specify the `for external dump` clause to the `quiesce` command. This warm standby method allows you to update a replica database using transaction logs dumped from the primary database.  
See “[Updating a warm standby Sybase ASE 12.5 database](#)” on page 75.

- 6 For each snapshot volume containing tablespaces, check the file system that it contains, and mount the volume using the following commands:

```
# fsck -F vxfs /dev/vx/rdisk/diskgroup/snapvol
# mount -F vxfs /dev/vx/dsk/diskgroup/snapvol mount_point
```

---

**Note:** On Linux, use the `-t` option, and on AIX, use the `-v` option, instead of the `-F` option for both commands.

---

For example, to check the file system in the snapshot volume `snap1_dbase_vol`, and mount it on `/rep_dbase_vol`:

```
# fsck -F vxfs /dev/vx/rdisk/dbasedg/snap1_dbase_vol
# mount -F vxfs /dev/vx/dsk/dbasedg/snap1_dbase_vol \
  /rep_dbase_vol
```

- 7 Copy any required log files from the primary database to the replica database.
- For an Oracle database, copy the archived log files that were generated while the database was in hot backup mode to the new database’s archived log directory (for example, `/rep_archlog`).

- For a Sybase ASE database, if you specified the `for external dump` clause when you quiesced the database, use the following `isql` command as the database administrator to dump the transaction log for the database:

```
dump transaction to dump_device with standby_access
```

Then copy the dumped transaction log to the appropriate replica database directory.

- 8 As the database administrator, start the new database:

- For an Oracle database, use a script such as that shown in the example. See [“Script to complete, recover and start a replica Oracle database”](#) on page 93.
- For a Sybase ASE database, use a script such as that shown in the example. See [“Script to start a replica Sybase ASE database”](#) on page 94. If you are using the warm standby method, specify the `-q` option to the `dataserver` command. Use the following `isql` commands to load the dump of the transaction log and put the database online:

```
load transaction from dump_device with standby_access  
online database database_name for standby_access
```

If you are not using the warm standby method, use the following `isql` command to recover the database, roll back any uncommitted transactions to the time that the quiesce command was issued, and put the database online:

```
online database database_name
```

When you want to resynchronize a snapshot with the primary database, shut down the replica database, unmount the snapshot volume, and go back to step 3 to refresh the contents of the snapshot from the original volume.

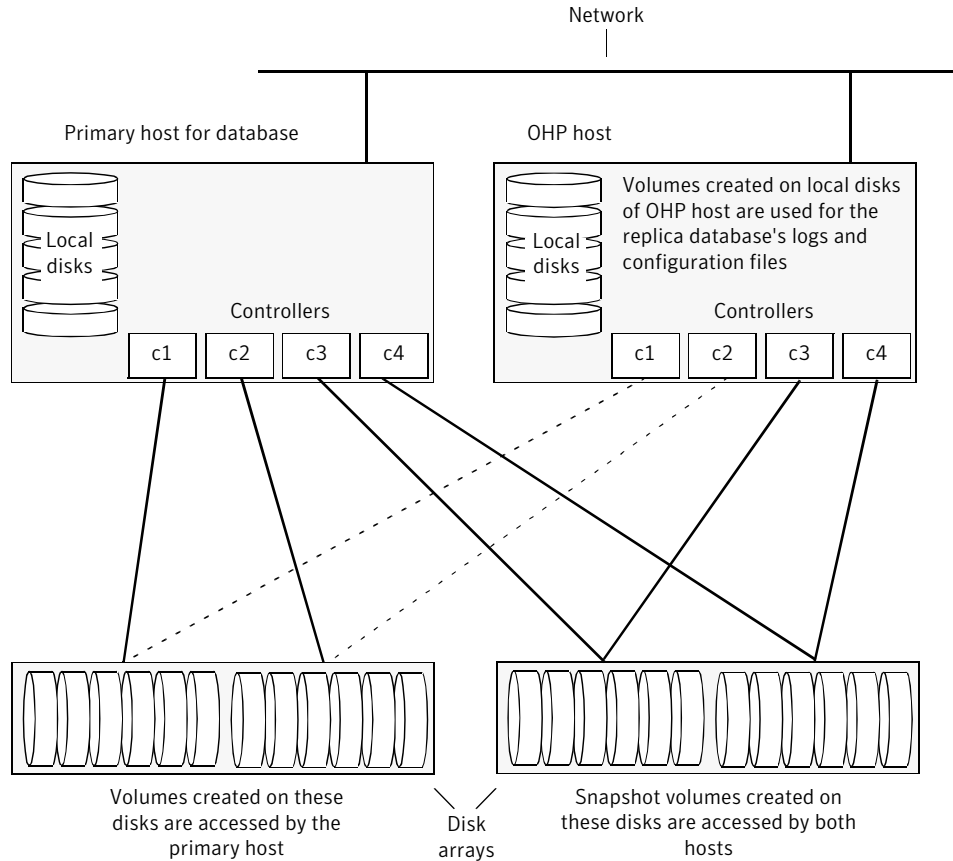
## Creating an off-host replica database

[Figure 5-2](#) shows an example where the primary database volumes to be backed up, `dbase_vol` and `dbase_logs`, are configured on disks attached to controllers `c1` and `c2`, and the snapshots are to be created on disks attached to controllers `c3` and `c4`.

There is no requirement for the OHP host to have access to the disks that contain the primary database volumes.

**Note:** If the database is configured on volumes in a cluster-shareable disk group, it is assumed that the primary host for the database is the master node for the cluster. If the primary host is not also the master node, all VxVM operations on shared disk groups must be performed on the master node.

**Figure 5-2** Example system configuration for off-host decision support



**Note:** It is assumed that you have already prepared the database volumes to be replicated as described in the example.

See [“About setting up volumes for instant snapshots”](#) on page 27.

**To set up a replica database to be used for decision support on an OHP host**

- 1 If you have not already done so, prepare the OHP host to use the snapshot volume that contains the copy of the database tables. Set up any new database logs and configuration files that are required to initialize the database.  
See [“About preparing a replica Oracle database”](#) on page 97.
- 2 On the primary host, use the following command to make a full-sized snapshot, `snapvol`, of the tablespace volume by breaking off plexes from the original volume:

```
# vxsnap -g volumedg make \  
  source=volume/newvol=snapvol/nmirror=N
```

The `nmirror` attribute specifies the number of mirrors, `N`, in the snapshot volume.

If the volume does not have any available plexes, or its layout does not support plex break-off, prepare an empty volume for the snapshot.

See [“Creating a volume for use as a full-sized instant snapshot”](#) on page 35.

Then use the following command to create the snapshot:

```
# vxsnap -g volumedg make source=volume/snapvol=snapvol
```

If a database spans more than one volume, specify all the volumes and their snapshot volumes as separate tuples on the same line, for example:

```
# vxsnap -g dbasedg make source=vol1/snapvol=svo11 \  
  source=vol2/snapvol=svo12 source=vol3/snapvol=svo13
```

---

**Note:** This step sets up the snapshot volumes, and starts tracking changes to the original volumes.

---

When you are ready to create the replica database, proceed to step 3.

- 3 If the volumes to be backed up contain database tables in file systems, suspend updates to the volumes:
  - DB2 provides the `write suspend` command to temporarily suspend I/O activity for a database. As the DB2 database administrator, use a script such as that shown in the example. Note that if the replica database must be able to be rolled forward (for example, if it is to be used as a standby database), the primary database must be in LOGRETAIN RECOVERY mode. See [“Script to suspend I/O for a DB2 database”](#) on page 88.

- Oracle supports online backup by temporarily suspending updates to the datafiles of the tablespaces, provided that the database is running in archive mode and the tablespaces are online. As the Oracle database administrator, put each tablespace into hot backup mode using a script such as that shown in the example.

See [“Script to put an Oracle database into hot backup mode”](#) on page 87.

- Sybase ASE from version 12.0 onward provides the Quiesce feature to allow temporary suspension of writes to a database. As the Sybase database administrator, put the database in quiesce mode by using a script such as that shown in the example.

See [“Script to quiesce a Sybase ASE database”](#) on page 87.

If you are using Sybase ASE 12.5, you can specify the `for external dump` clause to the `quiesce` command. This warm standby method allows you to update a replica database using transaction logs dumped from the primary database.

See [“Updating a warm standby Sybase ASE 12.5 database”](#) on page 75.

- 4 On the primary host, refresh the contents of the snapshot volumes from the original volume using the following command:

```
# vxsnap -g volumedg refresh snapvol source=vol \  
[snapvol2 source=vol2]... syncing=yes
```

The `syncing=yes` attribute starts a synchronization of the snapshot in the background.

For example, to refresh the snapshots `svol1`, `svol2` and `svol3`:

```
# vxsnap -g dbasedg refresh svol1 source=vol1 \  
svol2 source=vol2 svol3 source=vol3
```

- 5 If you temporarily suspended updates to volumes in step 2, release all the tablespaces or databases from suspend, hot backup or quiesce mode:
  - As the DB2 database administrator, use a script such as that shown in the example.  
See [“Script to resume I/O for a DB2 database”](#) on page 89.
  - As the Oracle database administrator, release all the tablespaces from hot backup mode using a script such as that shown in the example.  
See [“Script to end Oracle database hot backup mode”](#) on page 88.
  - As the Sybase database administrator, release the database from quiesce mode using a script such as that shown in the example.  
See [“Script to release a Sybase ASE database from quiesce mode”](#) on page 89.

- 6 Use the following command to wait for the contents of the snapshot to be fully synchronous with the contents of the original volume:

```
# vxsnap -g volumedg syncwait snapvol
```

For example, to wait for synchronization to finish for all the snapshots `svol1`, `svol2` and `svol3`, you would issue three separate commands:

```
# vxsnap -g dbasedg syncwait svol1  
# vxsnap -g dbasedg syncwait svol2  
# vxsnap -g dbasedg syncwait svol3
```

---

**Note:** You cannot move a snapshot volume into a different disk group until synchronization of its contents is complete. You can use the `vxsnap print` command to check on the progress of synchronization.

---

- 7 On the primary host, use the following command to split the disks containing the snapshot volumes into a separate disk group, `snapvoldg`, from the original disk group, `volumedg`:

```
# vxdg split volumedg snapvoldg snapvol ...
```

- 8 On the primary host, deport the snapshot volume's disk group using the following command:

```
# vxdg deport snapvoldg
```

- 9 On the OHP host where the replica database is to be set up, use the following command to import the snapshot volume's disk group:

```
# vxdg import snapvoldg
```

- 10 The snapshot volumes are initially disabled following the split. Use the following commands on the OHP host to recover and restart the snapshot volumes:

```
# vxrecover -g snapvoldg -m snapvol ...  
# vxvol -g snapvoldg start snapvol ...
```



- 11 On the OHP host, for each snapshot volume containing tablespaces, check the file system that it contains, and mount the volume using the following commands:

```
# fsck -F vxfs /dev/vx/rdisk/diskgroup/snapvol
# mount -F vxfs /dev/vx/dsk/diskgroup/snapvol mount_point
```

---

**Note:** On Linux, use the `-t` option, and on AIX, use the `-v` option, instead of the `-F` option for both commands.

---

For example, to check the file system in the snapshot volume `snap1_dbase_vol`, and mount it on `/rep/dbase_vol`:

```
# fsck -F vxfs /dev/vx/rdisk/dbasedg/snap1_dbase_vol
# mount -F vxfs /dev/vx/dsk/dbasedg/snap1_dbase_vol \
  /rep/dbase_vol
```

---

**Note:** For a replica DB2 database, the database volume must be mounted in the same location as on the primary host.

---

- 12 Copy any required log files from the primary host to the OHP host:
- For an Oracle database on the OHP host, copy the archived log files that were generated while the database was in hot backup mode to the new database's archived log directory (for example, `/rep/archlog`).
  - For a Sybase ASE database on the primary host, if you specified the `for external dump` clause when you quiesced the database, use the following `isql` command as the database administrator to dump the transaction log for the database:

```
dump transaction to dump_device with standby_access
```

Then copy the dumped transaction log to the appropriate database directory on the OHP host.

- 13 As the database administrator, start the new database:
- If the replica DB2 database is not to be rolled forward, use the following commands to start and recover it:

```
db2start
db2inidb database as snapshot
```

If the replica DB2 database is to be rolled forward (the primary must have been placed in LOGRETAIN RECOVERY mode before the snapshot was taken), use the following commands to start it, and put it in roll-forward pending state:

```
db2start  
db2inidb database as standby
```

Obtain the latest log files from the primary database, and use the following command to roll the replica database forward to the end of the logs:

```
db2 rollforward db database to end of logs
```

- For an Oracle database, use a script such as that shown in the example. See [“Script to complete, recover and start a replica Oracle database”](#) on page 93.

(This script also creates the control file for the new database by executing the SQL script that you created using the procedure in [About preparing a replica Oracle database](#).)

- For a Sybase ASE database, use a script such as that shown in the example. See [“Script to start a replica Sybase ASE database”](#) on page 94.

If you are using the warm standby method, specify the `-q` option to the `dataserver` command. Use the following `isql` commands to load the dump of the transaction log and put the database online:

```
load transaction from dump_device with standby_access  
online database database_name for standby_access
```

If you are not using the warm standby method, use the following `isql` command to recover the database, roll back any uncommitted transactions to the time that the quiesce command was issued, and put the database online:

```
online database database_name
```

## Resynchronizing the data with the primary host

This procedure describes how to resynchronize the data in a snapshot with the primary host.

### To resynchronize a snapshot with the primary database

- 1 On the OHP host, shut down the replica database, and use the following command to unmount each of the snapshot volumes:

```
# unmount mount_point
```

- 2 On the OHP host, use the following command to deport the snapshot volume's disk group:

```
# vxvg deport snapvoldg
```

- 3 On the primary host, re-import the snapshot volume's disk group using the following command:

```
# vxvg [-s] import snapvoldg
```

---

**Note:** Specify the `-s` option if you are reimporting the disk group to be rejoined with a shared disk group in a cluster.

---

- 4 On the primary host, use the following command to rejoin the snapshot volume's disk group with the original volume's disk group:

```
# vxvg join snapvoldg volumedg
```

- 5 The snapshot volumes are initially disabled following the join. Use the following command on the primary host to recover and restart a snapshot volume:

```
# vxrecover -g volumedg -m snapvol
```

- 6 Use step 3 through step 5 to refresh the contents of the snapshot from the original volume.

The snapshots are now ready to be re-used for backup or for other decision support applications.

### Updating a warm standby Sybase ASE 12.5 database

If you specified the `for external dump` clause when you quiesced the primary database, and you started the replica database by specifying the `-q` option to the `dataserver` command, you can use transaction logs to update the replica database.

### To update the replica database

- 1 On the primary host, use the following `isql` command to dump the transaction log for the database:

```
dump transaction to dump_device with standby_access
```

Copy the transaction log dump to the appropriate database directory on the OHP host.

- 2 On the OHP host, use the following `isql` command to load the new transaction log:

```
load transaction from dump_device with standby_access
```

- 3 On the OHP host, use the following `isql` command to put the database online:

```
online database database_name for standby_access
```

## Reattaching snapshot plexes

Some or all plexes of an instant snapshot may be reattached to the specified original volume, or to a source volume in the snapshot hierarchy above the snapshot volume.

---

**Note:** This operation is not supported for space-optimized instant snapshots.

---

By default, all the plexes are reattached, which results in the removal of the snapshot. If required, the number of plexes to be reattached may be specified as the value assigned to the `nmirror` attribute.

---

**Note:** The snapshot being reattached must not be open to any application. For example, any file system configured on the snapshot volume must first be unmounted.

---

### To reattach a snapshot

- ◆ Use the following command, to reattach some or all plexes of an instant snapshot to the specified original volume, or to a source volume in the snapshot hierarchy above the snapshot volume:

```
# vxsnap [-g diskgroup] reattach snapvol source=vol \  
[nmirror=number]
```

For example the following command reattaches 1 plex from the snapshot volume, `snapmyvol`, to the volume, `myvol`:

```
# vxsnap -g mydg reattach snapmyvol source=myvol nmirror=1
```

While the reattached plexes are being resynchronized from the data in the parent volume, they remain in the `SNAPTMP` state. After resynchronization is complete, the plexes are placed in the `SNAPDONE` state.



# Database recovery

This chapter includes the following topics:

- [About database recovery](#)
- [Creating Storage Checkpoints](#)
- [Rolling back a database](#)

## About database recovery

You can use Storage Checkpoints to implement efficient backup and recovery of databases that have been laid out on VxFS file systems. A Storage Checkpoint allows you to roll back an entire database, a tablespace, or a single database file to the time that the Storage Checkpoint was taken. Rolling back to or restoring from any Storage Checkpoint is generally very fast because only the changed data blocks need to be restored.

Storage Checkpoints can also be mounted, allowing regular file system operations to be performed or secondary databases to be started.

This chapter provides an introduction to using Storage Checkpoints for Storage Rollback of an Oracle database. For full information on how to administer the Storage Checkpoints feature for the database software that you are using, see the appropriate *Veritas Storage Foundation Database Administrator's Guide*.

---

**Note:** Storage Checkpoints can only be used to restore from logical errors such as human mistakes or software faults. You cannot use them to restore files after a disk failure because all the data blocks are on the same physical device. Disk failure requires restoration of a database from a backup copy of the database files kept on a separate medium. Combining data redundancy (for example, disk mirroring) with Storage Checkpoints is recommended for highly critical data to protect against both physical media failure and logical errors.

---

Storage Checkpoints require space in the file systems where they are created, and the space required grows over time as copies of changed file system blocks are made. If a file system runs out of space, and there is no disk space into which the file system and any underlying volume can expand, VxFS automatically removes the oldest Storage Checkpoints if they were created with the removable attribute.

If available, it is recommended that you use the VxDBA utility to administer Storage Checkpoints when they are applied to database applications. See the *Veritas Storage Foundation Database Administrator's Guide* for details.

For information on how Storage Checkpoints work, see the *Veritas File System Administrator's Guide*.

## Creating Storage Checkpoints

To create Storage Checkpoints, select `3 Storage Checkpoint Administration > Create New Storage Checkpoints` in the VxDBA utility. This can be done with a database either online or offline.

---

**Note:** To create a Storage Checkpoint while the database is online, `ARCHIVELOG` mode must be enabled in Oracle. During the creation of the Storage Checkpoint, the tablespaces are placed in backup mode. Because it only takes a few seconds to take a Storage Checkpoint, the extra redo logs generated while the tablespaces are in online backup mode are very small. To optimize recovery, it is recommended that you keep `ARCHIVELOG` mode enabled.

---

---

**Warning:** Changes to the structure of a database, such as the addition or removal of datafiles, make Storage Rollback impossible if they are made after a Storage Checkpoint was taken. A backup copy of the control file for the database is saved under the `/etc/vx/vxdba/ORACLE_SID/checkpoint_dir` directory immediately after a Storage Checkpoint is created. If necessary, you can use this file to assist with database recovery. If possible, both an ASCII and binary copy of the control file are made, with the binary version being compressed to conserve space. Use extreme caution if you attempt to recover your database using these control files. It is recommended that you remove old Storage Checkpoints and create new ones whenever you restructure a database.

---

## Rolling back a database

The procedure in this section describes how to roll back a database using a Storage Checkpoint, for example, after a logical error has occurred.



### To roll back a database

- 1 Ensure that the database is offline. You can use the VxDBA utility to display the status of the database and its tablespaces, and to shut down the database:
  - Select 2 `Display Database/VxDBA Information` to access the menus that display status information.
  - Select 1 `Database Administration > Shutdown Database Instance` to shut down a database.
- 2 Select 4 `Storage Rollback Administration > Roll Back the Database to a Storage Checkpoint` in the VxDBA utility, and choose the appropriate Storage Checkpoint. This restores all data files used by the database, except redo logs and control files, to their state at the time that the Storage Checkpoint was made.
- 3 Start up, but do not open, the database instance by selecting 1 `Database Administration > Startup Database Instance` in the VxDBA utility.
- 4 Use one of the following commands to perform an incomplete media recovery of the database:

- Recover the database until you stop the recovery:

```
recover database until cancel;  
...  
alter database [database] recover cancel;
```

- Recover the database to the point just before a specified system change number, scn:

```
recover database until change scn;
```

- Recover the database to the specified time:

```
recover database until time 'yyyy-mm-dd:hh:mm:ss';
```

- Recover the database to the specified time using a backup control file:

```
recover database until time 'yyyy-mm-dd:hh:mm:ss' \  
using backup controlfile;
```

---

**Note:** To find out when an error occurred, check the `../bdump/alert*.log` file.

---

See the Oracle documentation for complete and detailed information on database recovery.

- 5 To open the database after an incomplete media recovery, use the following command:

```
alter database open resetlogs;
```

---

**Note:** The `resetlogs` option is required after an incomplete media recovery to reset the log sequence. Remember to perform a full database backup and create another Storage Checkpoint after log reset.

---

- 6 Perform a full database backup, and use the VxDBA utility to remove any existing Storage Checkpoints that were taken before the one to which you just rolled back the database. These Storage Checkpoints can no longer be used for Storage Rollback. If required, use the VxDBA utility to delete the old Storage Checkpoints and to create new ones.

# Files and scripts for sample scenarios

This appendix includes the following topics:

- [About files and scripts for sample scenarios](#)
- [Script to initiate online off-host backup of an Oracle database](#)
- [Script to put an Oracle database into hot backup mode](#)
- [Script to quiesce a Sybase ASE database](#)
- [Script to suspend I/O for a DB2 database](#)
- [Script to end Oracle database hot backup mode](#)
- [Script to release a Sybase ASE database from quiesce mode](#)
- [Script to resume I/O for a DB2 database](#)
- [Script to perform off-host backup](#)
- [Script to create an off-host replica Oracle database](#)
- [Script to complete, recover and start a replica Oracle database](#)
- [Script to start a replica Sybase ASE database](#)

## About files and scripts for sample scenarios

This appendix contains the configuration files and scripts for the sample point-in-time copy processing scenarios described in this guide.

**Note:** These scripts are not supported by Symantec, and are provided for informational use only. You can purchase customization of the environment through Veritas Vpro Consulting Services.

Table A-1 list the files and scripts.

**Table A-1** Files and scripts for sample scenarios

File or script	Used for...
Script to initiate online off-host backup of an Oracle database	<ul style="list-style-type: none"> <li>■ Online off-host backup. See “Making an off-host backup of an online database” on page 47.</li> </ul>
Script to put an Oracle database into hot backup mode, Script to quiesce a Sybase ASE database or Script to suspend I/O for a DB2 database	<ul style="list-style-type: none"> <li>■ Online backup. See <a href="#">About online database backup</a></li> <li>■ Decision support. See “<a href="#">About decision support</a>” on page 61.</li> </ul>
Script to end Oracle database hot backup mode, Script to release a Sybase ASE database from quiesce mode or Script to resume I/O for a DB2 database	<ul style="list-style-type: none"> <li>■ Online backup. See “<a href="#">About online database backup</a>” on page 41.</li> <li>■ Decision support. See “<a href="#">About decision support</a>” on page 61.</li> </ul>
Script to perform off-host backup	<ul style="list-style-type: none"> <li>■ Online off-host backup. See “<a href="#">Making an off-host backup of an online database</a>” on page 47.</li> </ul>
Script to create an off-host replica Oracle database	<ul style="list-style-type: none"> <li>■ Decision support. See “<a href="#">Creating an off-host replica database</a>” on page 68.</li> </ul>
Script to complete, recover and start a replica Oracle database or Script to start a replica Sybase ASE database	<ul style="list-style-type: none"> <li>■ Decision support. See “<a href="#">Creating an off-host replica database</a>” on page 68.</li> </ul>

# Script to initiate online off-host backup of an Oracle database

Use this script to initiate online off-host backup of an Oracle database.

```
#!/bin/ksh
#
# script: backup_online.sh <dbnode>
#
# Sample script for online, off-host backup.
#
# Note: This is not a production level script, its intention is to help
# you understand the procedure and commands for implementing
# an off-host point-in-time copy solution.

export ORACLE_SID=dbase
export ORACLE_HOME=/oracle/816
export PATH=$ORACLE_HOME/bin:$PATH

dbnode=$1
dbasedg=dbasedg
snapvoldg=snapdbdg
newvollist="snap_dbase_vol source=dbase_vol/newvol=snap_dbase_vol"
snapvollist="snap_dbase_vol"
volsnaplist="snap_dbase_vol source=dbase_vol"
exit_cnt=0
arch_loc=/archlog

# Put the Oracle database in hot-backup mode;
# see the backup_start.sh script for information.

su oracle -c backup_start.sh

# Refresh the snapshots of the volumes.
#
# Note: If the volume is not mounted, you can safely ignore the
# following message that is output by the snapshot operation:
#
# ERROR: Volume dbase_vol: No entry in /etc/mnttab for volume

vxsnap -g $dbasedg make $newvollist

# Take the database out of hot-backup mode;
```

**Script to initiate online off-host backup of an Oracle database**

```
# see the backup_end.sh script for information.

su oracle -c backup_end.sh

# Back up the archive logs that were generated while the database
# was in hot backup mode (as reported by the Oracle Server Manager).

# Move the snapshot volumes into a separate disk group.

vxdg split $dbasedg $snapdg $snapvollist

# Deport the snapshot disk group.

vxdg deport $snapdg

# The snapshots of the database can be imported and backed up
# on the OHP node and then deported.
# Note: Replace "rsh" with "remsh" on HP-UX systems.

rsh $dbnode -c "do_backup.sh $snapvollist"

# Import the snapshot disk group -- if the database disk group is
# cluster-shareable, you must also specify the -s option.

vxdg import $snapdg

# Join the snapshot disk group to the original volume disk group.

vxdg join $snapdg $dbasedg

# Restart the snapshot volumes.

for i in `echo $snapvollist`
do
    vxrecover -g $dbasedg -m $i
    vxvol -g $dbasedg start $i
done

# Reattach the snapshot volumes ready for the next backup cycle.

vxsnap -g $dbasedg reattach $volsnaplist
```

# Script to put an Oracle database into hot backup mode

Use this script to put an Oracle database into hot backup mode.

```
#!/bin/ksh
#
# script: backup_start.sh
#
# Sample script to put example Oracle database into hot backup mode.

export ORACLE_SID=dbase
export ORACLE_HOME=/oracle/816
export PATH=$ORACLE_HOME/bin:$PATH

svrmgrl <<!
connect internal
archive log list;
alter tablespace ts1 begin backup;

# .
# . Put all required tablespaces into hot backup mode
# .

alter tablespace tsN begin backup;
quit
!
```

# Script to quiesce a Sybase ASE database

Use this script to quiesce a Sybase ASE database.

```
#!/bin/ksh
#
# script: backup_start.sh
#
# Sample script to quiesce example Sybase ASE database.
#
# Note: The "for external dump" clause was introduced in Sybase
# ASE 12.5 to allow a snapshot database to be rolled forward.
# See the Sybase ASE 12.5 documentation for more information.

isql -Usa -Ppassword -SFMR <<!
quiesce database tag hold database1[, database2]... [for external dump]
```

```
go
quit
!
```

## Script to suspend I/O for a DB2 database

Use this script to suspend I/O for a DB2 database.

```
#!/bin/ksh
#
# script: backup_start.sh
#
# Sample script to suspend I/O for a DB2 database.
#
# Note: To recover a database using backups of snapshots, the database
# must be in LOGRETAIN mode.

db2 <<!
connect to database
set write suspend for database
quit
!
```

## Script to end Oracle database hot backup mode

Use this script to end Oracle database hot backup mode.

```
#!/bin/ksh
#
# script: backup_end.sh
#
# Sample script to end hot backup mode for example Oracle database.

export ORACLE_SID=dbase
export ORACLE_HOME=/oracle/816
export PATH=$ORACLE_HOME/bin:$PATH

svrmgrl <<!
connect internal
alter tablespace ts1 end backup;
# .
# . End hot backup mode for all required tablespaces.
# .
```



```
alter tablespace tsN end backup;
alter system switch logfile;
alter system switch logfile;
archive log list;
quit
!

# Note: The repeated line alter system switch logfile; forces a checkpoint
#       archives the contents of the redo logs recorded during the back
```

## Script to release a Sybase ASE database from quiesce mode

Use this script to release a Sybase ASE database from quiesce mode.

```
#!/bin/ksh
#
# script: backup_end.sh
#
# Sample script to release example Sybase ASE database from quiesce mode.

isql -Usa -Ppassword -SFMR <<!
quiesce database tag release
go
quit
!
```

## Script to resume I/O for a DB2 database

Use this script to resume I/O for a DB2 database.

```
#!/bin/ksh
#
# script: backup_end.sh
#
# Sample script to resume I/O for a DB2 database.
#

db2 <<!
connect to database
set write resume for database
```

```
quit  
!
```

## Script to perform off-host backup

Use this script to perform off-host backup.

```
#!/bin/ksh  
#  
# script: do_backup.sh <list_of_database_volumes>  
#  
# Sample script for off-host backup  
#  
# Note: This is not a production level script, its intention is to help  
# you understand the procedure and commands for implementing  
# an off-host point-in-time copy solution.  
  
# Modify the following procedure according to your environment  
# and backup method.  
  
snapvoldg=snapdbdg  
  
# Import the snapshot volume disk group.  
  
vxdg import $snapvoldg  
  
# Mount the snapshot volumes (the mount points must already exist).  
  
for i in $*  
do  
    fsck -F vxfs /dev/vx/rdisk/$dbasedg/snap_$i  
    mount -F vxfs /dev/vx/dsk/$dbasedg/snap_$i /bak/$i  
done  
  
# Back up each tablespace.  
# back up /bak/ts1 &  
...  
# back up /bak/tsN &  
  
wait  
  
# Unmount snapshot volumes.
```

```
for i in 'echo $vollist'
do
    umount /bak/$i
done

# Deport snapshot volume disk group.

vxdg deport $snapvoldg

echo "do_backup over"
echo "\007 \007 \007 \007 \007 \007"
```

## Script to create an off-host replica Oracle database

Use this script to create an off-host replica Oracle database.

```
#!/bin/ksh
#
# script: create_dss.sh <dbnode>
#
# Sample script to create a replica Oracle database on an OHP host.
#
# Note: This is not a production level script, its intention is to help
# you understand the procedure and commands for implementing
# an off-host point-in-time copy solution.

export ORACLE_SID=dbase
export ORACLE_HOME=/oracle/816
export PATH=$ORACLE_HOME/bin:$PATH

dbnode=$1
localdg=localdg
dbasedg=dbasedg
snapvoldg=snapdbdg
vollist="dbase_vol"
snapvollist="snap_dbase_vol"
volsnaplist="snap_dbase_vol source=dbase_vol"
exit_cnt=0
arch_loc=/archlog
rep_mnt_point=/rep

# Put the Oracle database in hot-backup mode;
# see the backup_start.sh script for information.
```

```
su oracle -c backup_start.sh

# Refresh the snapshots of the volumes.
#
# Note: If the volume is not mounted, you can safely ignore the
# following message that is output by the snapshot operation:
#
# vxvm:vxsync: ERROR: Volume dbase_vol: No entry in /etc/mnttab for volume

vxsnap -g $dbasedg refresh $volsnaplist

# Take the Oracle database out of hot-backup mode;
# see the backup_end.sh script for information.

su oracle -c backup_end.sh

# Move the snapshot volumes into a separate disk group.

vxdg split $dbasedg $snapdg $vollist

# Deport the snapshot disk group.

vxdg deport $snapdg

# Copy the archive logs that were generated while the database was
# in hot backup mode (as reported by the Oracle Server Manager) to the
# archive log location for the replica database on the OHP node
# (in this example, /rep/archlog).

rcp ${arch_loc}/* $dbnode:${rep_mnt_point}${arch_loc}

# The snapshots of the database can be now imported on the OHP node
# and used to complete, recover and start the replica database.
# Note: Replace "rsh" with "remsh" on HP-UX systems.

rsh $dbnode -c "startdb.sh $vollist"
```

# Script to complete, recover and start a replica Oracle database

Use this script to complete, recover and start a replica Oracle database.

```
#!/bin/ksh
#
# script: startdb.sh <list_of_database_volumes>
#
# Sample script to complete, recover and start replica Oracle database.
#
# It is assumed that you have already performed the following
# steps:
# 1. Create the local volumes, file systems, and mount points for the
#     redo and archived logs, and then mount them.
# 2. Based on the text control file for the production database,
#     write a SQL script that creates a control file for the replica
#     database.
# 3. Create an initialization file for the replica database and place
#     this in the replica database's $ORACLE_HOME/dbs directory.
# 4. Copy the Oracle password file for the production database to the
#     replica database's $ORACLE_HOME/dbs directory.

export ORACLE_SID=REP1
export ORACLE_HOME=/rep/oracle/816
export PATH=$ORACLE_HOME/bin:$PATH
snapvoldg=snapdbdg
rep_mnt_point=/rep

# Import the snapshot volume disk group.

vxdg import $snapvoldg

# Mount the snapshot volumes (the mount points must already exist).

for i in $*
do
    fsck -F vxfs /dev/vx/rdisk/$snapvoldg/snap_$i
    mount -F vxfs /dev/vx/dsk/$snapvoldg/snap_$i ${rep_mnt_point}/$i
done

# Fix any symbolic links required by the database.
```

```
cd ${rep_mnt_point}/dbase_vol
for i in 1 2 3 4 5 6 # adjust as required
do
    rm -f ./log$i
    ln -s ${rep_mnt_point}/dbase_logs/log$i ./log$i
done

# Remove the existing control file.

rm -f ${rep_mnt_point}/dbase_vol/cntrl1

# Create a new control file, recover and start the replica database.

svrmgrl <<!
connect internal
@c_file_create.sql
set autorecovery on
recover database until cancel using backup controlfile;
alter database open resetlogs;
quit
!
```

## Script to start a replica Sybase ASE database

Use this script to start a replica Sybase ASE database.

```
#!/bin/ksh
#
# script: startdb.sh <list_of_database_volumes>
#
# Sample script to recover and start replica Sybase ASE database.

# Import the snapshot volume disk group.

vxdg import $snapvoldg

# Mount the snapshot volumes (the mount points must already exist).

for i in $*
do
    fsck -F vxfs /dev/vx/rdisk/$snapvoldg/snap_$i
    mount -F vxfs /dev/vx/dsk/$snapvoldg/snap_$i ${rep_mnt_point}/${i}
```

```
done
```

```
# Start the replica database.  
# Specify the -q option if you specified the "for external dump"  
# clause when you quiesced the primary database.  
# See the Sybase ASE 12.5 documentation for more information.
```

```
/sybase/ASE-12_5/bin/dataserver \  
[-q] \  
-sdatabase_name \  
-d /sybevm/master \  
-e /sybase/ASE-12_5/install/dbasename.log \  
-M /sybase
```

```
# Online the database. Load the transaction log dump and  
# specify "for standby_access" if you used the -q option  
# with the dataserver command.
```

```
isql -Usa -Ppassword -SFMR <<!  
[load transaction from dump_device with standby_access  
go]  
online database database_name [for standby_access]  
go  
quit  
!
```





# Preparing a replica Oracle database

This appendix includes the following topics:

- [About preparing a replica Oracle database](#)
- [Text control file for original production database](#)
- [SQL script to create a control file](#)
- [Initialization file for original production database](#)
- [Initialization file for replica Oracle database](#)

## About preparing a replica Oracle database

This appendix describes how to set up a replica off-host Oracle database to be used for decision support.

See [“Creating an off-host replica database”](#) on page 68.

### To prepare a replica Oracle database on a host other than the primary host

- 1 If not already present, install the Oracle software onto the host's local disks. The location of the Oracle home directory (\$ORACLE\_HOME) is used for the database instance that is created from the snapshot volumes.

---

**Note:** In the examples shown here, the home directory is `/rep/oracle` in the local disk group, `localdg`. If required, you could instead choose to use the same file paths and database name as on the primary host.

---

- 2 In the local disk group, `localdg`, use the following command to create the volumes that are to be used for the redo logs and archived logs of the replicated database:

```
# vxassist -g diskgroup make volume size
```

For example, to create a 1-gigabyte redo log volume `rep_dbase_logs` and a 2-gigabyte archived log volume `rep_dbase_arch`:

```
# vxassist -g localdg make rep_dbase_logs 1g
# vxassist -g localdg make rep_dbase_arch 2g
```

- 3 Make the file systems for the redo logs and archive logs in the volumes created in the previous step using the following command:

```
# mkfs -F vxfs /dev/vx/rdisk/diskgroup/volume
```

In this example, the commands would be:

```
# mkfs -F vxfs /dev/vx/rdisk/localdg/rep_dbase_logs
# mkfs -F vxfs /dev/vx/rdisk/localdg/rep_dbase_arch
```

- 4 Create the mount points that are to be used to mount the new database. For example, create `/rep/dbase_vol` for the snapshot of the tablespace volume, `/rep/dbase_logs` for the redo logs, and `/rep/dbase_arch` for the archived logs:

```
# mkdir -p /rep/dbase_vol
# mkdir -p /rep/dbase_logs
# mkdir -p /rep/dbase_arch
```

- 5 Mount the redo log and archive log volumes on their respective mount points using the following command:

```
# mount -F vxfs /dev/vx/dsk/diskgroup/volume mount_point
```

In this example, the commands would be:

```
# mount -F vxfs /dev/vx/dsk/localdg/rep_dbase_logs \
  /rep/dbase_logs
# mount -F vxfs /dev/vx/dsk/localdg/rep_dbase_arch \
  /rep/dbase_arch
```

- 6 As the Oracle database administrator on the primary host, obtain an ASCII version of the current Oracle control file using the following SQL command:

```
alter database backup controlfile to trace;
```

This command writes a text version of the control file to the directory \$ORACLE\_HOME/admin/dbase/udump.

See [“Text control file for original production database”](#) on page 100.

- 7 Modify the text version of the control file created in the previous step as described below to create a new SQL script to set up the replica database:

- If required, change the locations defined under LOGFILE for the log files. For example, change lines of the form:

```
GROUP N '/dbase_vol/logN' SIZE 52428288,
```

so that they read:

```
GROUP N '/rep/dbase_vol/logN' SIZE 52428288,
```

- If required, change the locations defined under DATAFILE for the tablespaces. For example, change lines of the form:

```
 '/dbase_vol/table',
```

so that they read:

```
 '/rep/dbase_vol/table',
```

- If required, change the following line:

```
CREATE CONTROLFILE REUSE DATABASE "odb" NORESETLOGS \
ARCHIVELOG
```

so that it reads:

```
CREATE CONTROLFILE SET DATABASE "ndb" RESETLOGS \
NOARCHIVELOG
```

where *odb* is the name of the original database and *ndb* is the name of the replica database (DBASE and REP1 in the example). Note that to reduce unnecessary overhead, the new database is not run in archive log mode. See “[SQL script to create a control file](#)” on page 102.

- 8 Copy the Oracle initialization file for the original database to a new initialization file for the replica database.

For example, the Oracle initialization file for the original database is shown as `initdbase.ora`.

See “[Initialization file for original production database](#)” on page 102.

For example, the initialization file for the replica database is shown as `initREPl.ora`.

See “[Initialization file for replica Oracle database](#)” on page 104.

Edit the copied file and change the definitions of the following parameters:

`background_dump_dest` Background dump location.

`core_dump_dest` Core dump location.

`db_name` Database name to the name of the replica database.

`log_archive_dest` Archive log location, set equal to the path created in step 4 (for example, `/rep/dbase_arch`).

`log_archive_start` Archive log mode, `log_archive_start`, to FALSE.

`user_dump_dest` User dump location.

You may also wish to reduce the resource usage of the new database by adjusting the values of parameters such as `db_block_buffers`.

See the *Oracle Database Administrator's Guide* for more information.

- 9 Copy the Oracle remote password file (for example, `orapwdbase`) in `ORACLE_HOME/dbs` to a new file (for example, `orapwREPl`).

## Text control file for original production database

The following example shows the text control file for the original production database.

```
/oracle/816/admin/dbase/udump/dbase_ora_20480.trc
Oracle8i Enterprise Edition Release 8.1.6.0.0 - Production
```

```

With the Partitioning option
JServer Release 8.1.6.0.0 - Production
ORACLE_HOME = /oracle/816
System name:      SunOS
Node name:        node01
Release:          5.8
Version:          Generic_108528-02
Machine:          sun4u
Instance name:    dbase
Redo thread mounted by this instance: 1
Oracle process number: 8
Unix process pid: 20480, image: oracle@node01
*** SESSION ID:(#.##) YYYY-MM-DD hh:mm:ss.sss
*** YYYY-MM-DD hh:mm:ss.sss
# The following commands will create a new control file and use it
# to open the database.
# Data used by the recovery manager will be lost. Additional logs may
# be required for media recovery of offline data files. Use this
# only if the current version of all online logs are available.
STARTUP NOMOUNT
CREATE CONTROLFILE REUSE DATABASE "DBASE" NORESETLOGS ARCHIVELOG
    MAXLOGFILES 16
    MAXLOGMEMBERS 2
    MAXDATAFILES 70
    MAXINSTANCES 1
    MAXLOGHISTORY 226
LOGFILE
    GROUP 1 '/dbase_vol/log1'  SIZE 52428288,
# .
# . List of log files
# .
    GROUP N '/dbase_vol/logN'  SIZE 52428288
DATAFILE
    '/dbase_vol/ts1',
# .
# . List of tablespace datafiles
# .
    '/dbase_vol/tsN'
CHARACTER SET US7ASCII;
# Recovery is required if any of the datafiles are restored backups,
# or if the last shutdown was not normal or immediate.
RECOVER DATABASE
# All logs need archiving and a log switch is needed.

```

```
ALTER SYSTEM ARCHIVE LOG ALL;
# Database can now be opened normally.
ALTER DATABASE OPEN;
# No tempfile entries found to add.
#
```

## SQL script to create a control file

The following example shows the SQL script to create a control file .

```
STARTUP NOMOUNT
CREATE CONTROLFILE SET DATABASE "REP1" RESETLOGS NOARCHIVELOG
    MAXLOGFILES 16
    MAXLOGMEMBERS 2
    MAXDATAFILES 70
    MAXINSTANCES 1
    MAXLOGHISTORY 226
LOGFILE
    GROUP 1 '/rep/dbase_vol/log1' SIZE 52428288,
    # .
    # . List of log files
    # .
    GROUP N '/rep/dbase_vol/logN' SIZE 52428288
DATAFILE
    '/rep/dbase_vol/ts1',
    # .
    # . List of tablespace datafiles
    # .
    '/rep/dbase_vol/tsN'
CHARACTER SET US7ASCII
;
```

## Initialization file for original production database

The following example shows the initialization file for the original production database.

```
#####+
# FILENAME          initdbase.ora
# DESCRIPTION      Oracle parameter file for primary database, dbase.
#####
db_block_size      = 8192
```

```

parallel_max_servers           = 30
recovery_parallelism          = 20
# db_writers                   = 25
# use_async_io                 = TRUE
# async_io                     = 1
control_files                  = (/dbase_vol/cntrl1)
sort_area_size                = 15728640
parallel_max_servers          = 10
recovery_parallelism          = 4
compatible                     = 8.1.5
db_name                       = dbase
db_files                      = 200
db_file_multiblock_read_count = 32
db_block_buffers              = 30720 # 8k * 30720 approx 250MB
dml_locks                     = 500
hash_join_enabled             = FALSE

# Uncommenting the line below will cause automatic archiving if
# archiving has been enabled using ALTER DATABASE ARCHIVELOG.
log_archive_dest              = /archlog
log_archive_format            = dbase%t_%s.dbf
log_archive_start             = TRUE
# log_checkpoint_interval      = 1000000000

log_checkpoint_timeout        = 300
log_checkpoints_to_alert      = TRUE
log_buffer                    = 1048576
max_rollback_segments         = 220
processes                     = 300
sessions                      = 400
open_cursors                  = 200
transactions                  = 400
distributed_transactions      = 0
transactions_per_rollback_segment = 1
rollback_segments             =
(s1,s2,s3,s4,s5,s6,s7,s8,s9,s10,s11,s12,s13,s14,s15,s16,s17,s18,s19,s20,s21,s22,s23,s2
4,s25,s26,s27,s28,s29,s30)
shared_pool_size              = 7000000
cursor_space_for_time         = TRUE
audit_trail                   = FALSE
cursor_space_for_time         = TRUE
background_dump_dest          = /oracle/816/admin/dbase/bdump

```

```
core_dump_dest          = /oracle/816/admin/dbase/cdump
user_dump_dest         = /oracle/816/admin/dbase/udump
```

## Initialization file for replica Oracle database

The following example shows the initialization file for the replica Oracle database.

```
##=====+
# FILENAME initREPl.ora
# DESCRIPTION Oracle parameter file for replica database, REPl.
#=====

db_block_size = 8192
parallel_max_servers          = 30
recovery_parallelism         = 20
# db_writers                  = 25
# use_async_io                = TRUE
# async_io                    = 1
control_files                 = (/rep/dbase_vol/cntrl1)
sort_area_size               = 15728640
parallel_max_servers          = 10
recovery_parallelism         = 4
compatible                   = 8.1.5
db_name                       = REPl
db_files                      = 200
db_file_multiblock_read_count = 32
db_block_buffers              = 10240
dml_locks                     = 500
hash_join_enabled            = FALSE
log_archive_start             = FALSE
log_archive_dest              = /rep/archlog
log_archive_format            = dbase%t_%s.dbf
log_checkpoint_timeout        = 300
log_checkpoints_to_alert     = TRUE
log_buffer                    = 1048576
max_rollback_segments        = 220
processes                     = 300
sessions                      = 400
open_cursors                  = 200
transactions                  = 400
distributed_transactions      = 0
transactions_per_rollback_segment = 1
rollback_segments            =
```



```
(s1,s2,s3,s4,s5,s6,s7,s8,s9,s10,s11,s12,s13,s14,s15,s16,s17,s18,s19,s20,s21,s22,s23,s24,s25,s26,s27,s28,s29,s30)
shared_pool_size           = 7000000
cursor_space_for_time     = TRUE
audit_trail                = FALSE
cursor_space_for_time     = TRUE
background_dump_dest      = /rep/oracle/816/admin/REP1/bdump
core_dump_dest            = /rep/oracle/816/admin/REP1/cdump
user_dump_dest            = /rep/oracle/816/admin/REP1/udump
```



# Index

## A

- ARCHIVELOG mode 80
- attributes
  - autogrowby 38
  - highwatermark 38
  - init 36
  - ndcomirror 36
  - nmirror 36
  - regionsize 38
  - tuning the autogrow feature 38
- autogrow feature
  - tuning attributes 38
- autogrowby attribute 38

## B

- backup
  - of cluster file systems 53
  - of online databases 41
- BCV 16
- Business Continuanace Volume (BCV) 16

## C

- cache
  - autogrow attributes 38
  - creating for use by space-optimized snapshots 36
  - for space-optimized instant snapshots 14
- cluster file systems
  - off-host backup of 53

## D

- databases
  - incomplete media recovery 81
  - integrity of data in 25
  - online backup of 41
  - preparing off-host replica for Oracle 97
  - rolling back 81
  - using Storage Checkpoints 79
- DCO
  - adding to volumes 29

- DCO (*continued*)
  - considerations for disk layout 32
  - effect on disk group split and join 32
  - moving log plexes 31
- decision support
  - using point-in-time copy solutions 61
- Disk Group Split/Join 15
- disk groups
  - layout of DCO plexes 32
- disks
  - layout of DCO plexes 32

## E

- EMC Symmetrix 16
- EMC TimeFinder 16

## F

- FastResync
  - Persistent 14
- file systems
  - mounting for shared access 54
- FlashSnap 9
- FlashSnap Agent 16
- full-sized instant snapshots 14

## H

- highwatermark attribute 38

## I

- init attribute 36
- instant snapshots
  - full-sized 14
  - reattaching 60, 77
  - space-optimized 14

## M

- maxautogrow attribute 38
- mounting
  - shared-access file systems 54

- N**
- ndcomirror attribute 36
  - nmirror attribute 36
- O**
- off-host backup of cluster file systems
    - using point-in-time copy solutions 53
  - online database backup
    - using point-in-time copy solutions 41
- P**
- Persistent FastResync 14
  - plexes
    - moving 31
  - point-in-time copy solutions
    - applications 10
    - for decision support 61
    - for off-host cluster file system backup 53
    - for online database backup 41
    - scenarios 11
    - Veritas software used to implement 11
- R**
- recovery
    - using Storage Checkpoints 79
  - regionsize attribute 38
  - resetlogs option 82
  - resynchronizing
    - snapshots 25
- S**
- scenarios
    - Veritas software used in 11
  - shared access
    - mounting file systems for 54
  - snapshots
    - instant 14
    - preparing volumes 27
    - reattaching instant 60, 77
    - resynchronizing 25
    - third-mirror 14
  - space-optimized instant snapshots 14
  - storage cache 14
  - Storage Checkpoints 15
    - administering with VxDBA 80
    - creating 80
    - database recovery 79
  - Storage Rollback
    - implementing using Storage Checkpoints 79
    - using VxDBA 81
  - Symmetrix 16
- T**
- third-mirror
    - snapshots 14
  - TimeFinder 16
- V**
- volumes
    - adding DCOs to 29
    - preparing for full-sized instant snapshots 35
    - preparing for instant snapshots 27
  - vxassist
    - moving DCO log plexes 31
  - vxcached daemon 38
  - VxDBA
    - administering Storage Checkpoints using 80
  - vxprint
    - displaying DCO information 32
  - vxsnap
    - preparing volumes for instant snapshot operations 29
    - reattaching instant snapshots 60, 77